



# KOHLERengines

## ***PARTS MANUAL*** ***COMMAND 18-25 HP*** **Vertical Crankshaft**



**CV18 Specs. 61500 – 61531**

**CV20 Specs. 65500 – 65532**

**CV22 Specs. 67500 – 67524**

**CV25 Specs. 69500 – 69512**

# COMMAND

# How To Find Part Numbers

1. Turn the page of the parts manual to the "Composite Exploded View." Notice the boxed groupings identified by their function along with a corresponding number. The group function and number applies to all engine models.

For example:

| Function<br>(Group Description)    | Group<br>Number |
|------------------------------------|-----------------|
| Crankshaft .....                   | 1               |
| Crankcase .....                    | 2               |
| Oil Pan/Lubrication .....          | 3               |
| Cylinder Head/Valve/Breather ..... | 4               |
| Ignition/Electrical .....          | 5               |
| Blower Housing & Baffles .....     | 6               |
| Starting System .....              | 7               |

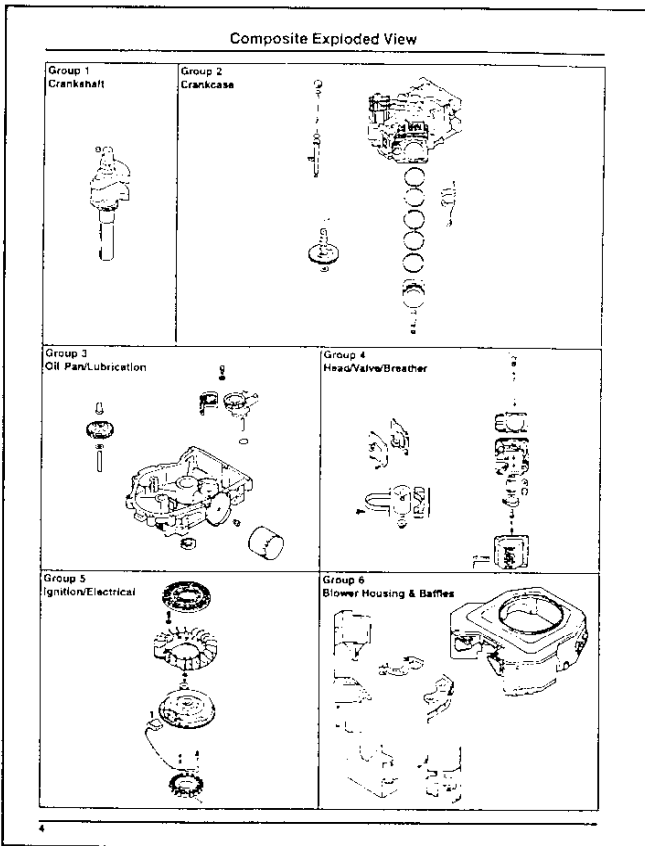
Remember the Group Number in which you located your part. (If the part you need is not illustrated, locate a major engine function related to your part and use that Group Number.)

Example: You need an oil pan for CV18, Spec. No. 61500. The oil pan plate is found in Group 3.

2. Now turn to the pages titled "Specification Number Index." When scanning these pages, you'll notice:

- a. Page Numbers indexing where Group Parts are listed (for Group 3 the listing begins on page 11).
- b. Specification Numbers listed vertically down the first column.
- c. "Variation Numbers" in the Group Number columns. (These numbers specifically identify a particular group [combination] of parts used in a particular spec. – and are used to locate the specific part numbers.)

Locate your Specification Number in the first column. Go across the page to the Group Number column for your part. Jot down the Variation Number found in that column. For our example (Spec. No. 61500), the Variation Number under Group 3 is "74".



| Group Title & Number | Crankshaft |          |           | Crankcase |          |           | Oil Pan/Lubrication |          |           | Head/Valve/Breather |          |           | Ignition/Electrical |          |           | Housing & Baffles |          |           | Starting System |          |           | Controls |          |           | Air Filtration |          |           |    |     |     |
|----------------------|------------|----------|-----------|-----------|----------|-----------|---------------------|----------|-----------|---------------------|----------|-----------|---------------------|----------|-----------|-------------------|----------|-----------|-----------------|----------|-----------|----------|----------|-----------|----------------|----------|-----------|----|-----|-----|
|                      | Page No.   | Grid No. | Spec. No. | Page No.  | Grid No. | Spec. No. | Page No.            | Grid No. | Spec. No. | Page No.            | Grid No. | Spec. No. | Page No.            | Grid No. | Spec. No. | Page No.          | Grid No. | Spec. No. | Page No.        | Grid No. | Spec. No. | Page No. | Grid No. | Spec. No. | Page No.       | Grid No. | Spec. No. |    |     |     |
| 61500                | 18         | 201      | 74        | 18        | 201      | 400       | 18                  | 10       | 401       | 18                  | 10       | 402       | 18                  | 10       | 403       | 18                | 10       | 404       | 18              | 10       | 405       | 18       | 10       | 406       | 18             | 10       | 407       | 18 | 10  | 408 |
| 61501                | 18         | 201      | 76        | 18        | 201      | 401       | 18                  | 10       | 402       | 18                  | 10       | 403       | 18                  | 10       | 404       | 18                | 10       | 405       | 18              | 10       | 406       | 18       | 10       | 407       | 18             | 10       | 408       | 18 | 10  | 409 |
| 61510                | 4          | 201      | 33        | 4         | 201      | 402       | 4                   | 201      | 403       | 4                   | 201      | 404       | 4                   | 201      | 405       | 4                 | 201      | 406       | 4               | 201      | 407       | 4        | 201      | 408       | 4              | 201      | 409       | 4  | 201 | 410 |
| 61511                | 18         | 201      | 27        | 18        | 201      | 403       | 18                  | 10       | 404       | 18                  | 10       | 405       | 18                  | 10       | 406       | 18                | 10       | 407       | 18              | 10       | 408       | 18       | 10       | 409       | 18             | 10       | 410       | 18 | 10  | 411 |
| 61512                | 4          | 201      | 27        | 4         | 201      | 403       | 4                   | 201      | 404       | 4                   | 201      | 405       | 4                   | 201      | 406       | 4                 | 201      | 407       | 4               | 201      | 408       | 4        | 201      | 409       | 4              | 201      | 410       | 4  | 201 | 411 |
| 61513                | 18         | 201      | 400       | 18        | 201      | 401       | 18                  | 10       | 402       | 18                  | 10       | 403       | 18                  | 10       | 404       | 18                | 10       | 405       | 18              | 10       | 406       | 18       | 10       | 407       | 18             | 10       | 408       | 18 | 10  | 409 |
| 61514                | 18         | 201      | 400       | 18        | 201      | 401       | 18                  | 10       | 402       | 18                  | 10       | 403       | 18                  | 10       | 404       | 18                | 10       | 405       | 18              | 10       | 406       | 18       | 10       | 407       | 18             | 10       | 408       | 18 | 10  | 409 |
| 61515                | 18         | 201      | 400       | 18        | 201      | 401       | 18                  | 10       | 402       | 18                  | 10       | 403       | 18                  | 10       | 404       | 18                | 10       | 405       | 18              | 10       | 406       | 18       | 10       | 407       | 18             | 10       | 408       | 18 | 10  | 409 |
| 61517                | 18         | 201      | 400       | 18        | 201      | 401       | 18                  | 10       | 402       | 18                  | 10       | 403       | 18                  | 10       | 404       | 18                | 10       | 405       | 18              | 10       | 406       | 18       | 10       | 407       | 18             | 10       | 408       | 18 | 10  | 409 |
| 61518                | 18         | 201      | 400       | 18        | 201      | 401       | 18                  | 10       | 402       | 18                  | 10       | 403       | 18                  | 10       | 404       | 18                | 10       | 405       | 18              | 10       | 406       | 18       | 10       | 407       | 18             | 10       | 408       | 18 | 10  | 409 |
| 61520                | 20         | 201      | 38        | 20        | 201      | 401       | 20                  | 201      | 402       | 20                  | 201      | 403       | 20                  | 201      | 404       | 20                | 201      | 405       | 20              | 201      | 406       | 20       | 201      | 407       | 20             | 201      | 408       | 20 | 201 | 409 |
| 61521                | 16         | 201      | 5         | 16        | 201      | 402       | 16                  | 201      | 403       | 16                  | 201      | 404       | 16                  | 201      | 405       | 16                | 201      | 406       | 16              | 201      | 407       | 16       | 201      | 408       | 16             | 201      | 409       | 16 | 201 | 410 |
| 61522                | 18         | 201      | 5         | 18        | 201      | 402       | 18                  | 201      | 403       | 18                  | 201      | 404       | 18                  | 201      | 405       | 18                | 201      | 406       | 18              | 201      | 407       | 18       | 201      | 408       | 18             | 201      | 409       | 18 | 201 | 410 |
| 61524                | 18         | 201      | 5         | 18        | 201      | 402       | 18                  | 201      | 403       | 18                  | 201      | 404       | 18                  | 201      | 405       | 18                | 201      | 406       | 18              | 201      | 407       | 18       | 201      | 408       | 18             | 201      | 409       | 18 | 201 | 410 |
| 61524                | 18         | 10       | 17        | 18        | 10       | 17        | 18                  | 10       | 17        | 18                  | 10       | 17        | 18                  | 10       | 17        | 18                | 10       | 17        | 18              | 10       | 17        | 18       | 10       | 17        | 18             | 10       | 17        | 18 | 10  | 17  |
| 61525                | 18         | 10       | 17        | 18        | 10       | 17        | 18                  | 10       | 17        | 18                  | 10       | 17        | 18                  | 10       | 17        | 18                | 10       | 17        | 18              | 10       | 17        | 18       | 10       | 17        | 18             | 10       | 17        | 18 | 10  | 17  |
| 61526                | 18         | 10       | 17        | 18        | 10       | 17        | 18                  | 10       | 17        | 18                  | 10       | 17        | 18                  | 10       | 17        | 18                | 10       | 17        | 18              | 10       | 17        | 18       | 10       | 17        | 18             | 10       | 17        | 18 | 10  | 17  |
| 61527                | 18         | 10       | 17        | 18        | 10       | 17        | 18                  | 10       | 17        | 18                  | 10       | 17        | 18                  | 10       | 17        | 18                | 10       | 17        | 18              | 10       | 17        | 18       | 10       | 17        | 18             | 10       | 17        | 18 | 10  | 17  |
| 61528                | 18         | 10       | 17        | 18        | 10       | 17        | 18                  | 10       | 17        | 18                  | 10       | 17        | 18                  | 10       | 17        | 18                | 10       | 17        | 18              | 10       | 17        | 18       | 10       | 17        | 18             | 10       | 17        | 18 | 10  | 17  |
| 61529                | 18         | 10       | 17        | 18        | 10       | 17        | 18                  | 10       | 17        | 18                  | 10       | 17        | 18                  | 10       | 17        | 18                | 10       | 17        | 18              | 10       | 17        | 18       | 10       | 17        | 18             | 10       | 17        | 18 | 10  | 17  |
| 61530                | 18         | 10       | 17        | 18        | 10       | 17        | 18                  | 10       | 17        | 18                  | 10       | 17        | 18                  | 10       | 17        | 18                | 10       | 17        | 18              | 10       | 17        | 18       | 10       | 17        | 18             | 10       | 17        | 18 | 10  | 17  |
| 61531                | 18         | 10       | 17        | 18        | 10       | 17        | 18                  | 10       | 17        | 18                  | 10       | 17        | 18                  | 10       | 17        | 18                | 10       | 17        | 18              | 10       | 17        | 18       | 10       | 17        | 18             | 10       | 17        | 18 | 10  | 17  |
| 61532                | 18         | 10       | 17        | 18        | 10       | 17        | 18                  | 10       | 17        | 18                  | 10       | 17        | 18                  | 10       | 17        | 18                | 10       | 17        | 18              | 10       | 17        | 18       | 10       | 17        | 18             | 10       | 17        | 18 | 10  | 17  |

Contact your Kohler engine parts supplier for any specifications not listed.

For Short Blocks and Replacement Engines refer to Selection Guide TP-2462.

# How To Find Part Numbers

CV18-25

Group 3  
Oil Pan/Lubrication

| Index Number | Description (Qty)<br>Variation Number  | Part Number | Index Number | Description (Qty)<br>Variation Number  | Part Number |
|--------------|--|-------------|--------------|--|-------------|
| 1            | Oil pan assembly (Includes 12-18)<br>5, 17, 23, 27, 28, 30, 36, 38, 43, 74, 75, 76, 81, 400, 401, 402                | 24 199 07   | 8            | Plug, sq. hd. solid 3/8 N.P.T.F.<br>5, 17, 23, 27, 28, 30, 33, 36, 38, 43, 82, 400, 401, 402 | X-75-10     |
| 1            | Oil pan assembly (Includes 12-18)  | 24 199 07   | 9            | Plug, hex. hd. 3/8"  | 52 139 02   |
| 1            | Oil pan assembly (Includes 12-18)  | 24 199 07   | 10           | Switch, oil pressure   | 52 099 06   |
| 1            | Oil pan assembly (Includes 12-18)<br>5, 17, 23, 27, 28, 30, 36, 38, 43, 74, 75, 76, 81, 400, 401, 402                | 24 199 07   | 11           |  | 48 099 07   |
| 1            | Oil pan assembly (Includes 12-18)<br>5, 17, 23, 27, 28, 30, 36, 38, 43, 74, 75, 76, 81, 400, 401, 402                | 24 199 07   | 12           |  | 52 099 05   |
| 1            | Oil pan assembly (Includes 12-18)<br>5, 17, 23, 27, 28, 30, 36, 38, 43, 74, 75, 76, 81, 400, 401, 402                | 24 199 07   | 13           |  | 24 153 08   |
| 1            | Oil pan assembly (Includes 12-18)<br>5, 17, 23, 27, 28, 30, 36, 38, 43, 74, 75, 76, 81, 400, 401, 402                | 24 199 07   | 14           |  | 12 144 02   |
| 4            | Filter, oil<br>30  | 277233      | 14           | Kit, governor gear w/ pin (Includes 19)  | 52 448 02   |
| 5            | Seal, oil (P/O end)<br>5, 17, 23, 27, 28, 30, 33, 36, 38, 43, 60, 58, 74, 75, 76, 81, 82, 400, 401, 402              | 52 032 08   | 15           | Pin, governor regulating   | 24 043 12   |
| 6            | Screw, hex. range M4x1.25x45<br>5, 17, 23, 27, 28, 30, 33, 36, 38, 43, 60, 58, 74, 75, 76, 81, 82, 400, 401, 402     | 24 065 17   | 15           | Pin, governor regulating   | 12 380 01   |
| 7            | Screw, hex. range M4x1.25x45 (S)<br>5, 17, 23, 27, 28, 30, 33, 36, 38, 43, 60, 58, 74, 75, 76, 81, 82, 400, 401, 402 | 24 066 16   |              |  |             |

3. Go to the page for your Group (page 11) and look at the illustrations to find the one most similar to the original part.

- Each part in the illustration is identified with an index number or letter. Use that identifier to locate the part description in the listing.
- Find you "Variation Number", from step 2, immediately below the description.
- The correct Part Number will be in the column to the right of your Variation Number.

For our example, the oil pan assembly that looks like the original is Index No. 1. Looking in the listing next to Index No. 1 we find our Variation Number (74), is shown, so the correct part number is 24 199 07.

CV18,20,22,25

There are several methods of repowering CV18,20,22,25 engines to consider - with the choice depending on your shop facilities, repair costs, and allowable downtime of the engine.

- Engine Replacement:** When decision is to replace, use a Kohler Replacement Engine. No modifications required.
- Short Block Replacement:** When engine including the crankshaft is extensively damaged or worn internally.
- Miniblock Replacement:** When bore, piston, and connecting rod are damaged but crankshaft and all other parts are in good condition.
- Complete Overhaul:** Restore cylinder and regrind crankshaft, using appropriate oversize factor and undersize replacement parts.

This Selection Guide provides an easy reference for determining the part number of the Replacement Engine, Short Block, or Miniblock required for the repower method selected. It also lists the part number of the crankshaft installed in the original engine.

Locate this engine specification number in the index below. Select the part number of the repair method listed in the adjacent columns.

| Engine Spec No. | Original Engine | Replaces Crankshaft No. | Replaces Short Block | Replaces Miniblock | Engine Spec No. | Original Engine | Replaces Crankshaft No. | Replaces Short Block | Replaces Miniblock |
|-----------------|-----------------|-------------------------|----------------------|--------------------|-----------------|-----------------|-------------------------|----------------------|--------------------|
| 61500*          | 61500*          | 24 014 42               | 24 522 09            | 24 782 05          | 61524           | -               | 24 014 42               | 24 522 02            | 24 782 05          |
| 61510           | 61501*          | 24 014 42               | 24 522 10            | 24 782 05          | 61525           | -               | 24 014 42               | 24 522 12            | 24 782 05          |
| 61511           | -               | 24 014 42               | 24 522 10            | 24 782 05          | 61526           | -               | 24 014 42               | 24 522 09            | 24 782 05          |
| 61512           | -               | 24 014 42               | 24 522 11            | 24 782 05          | 61527           | -               | 24 014 42               | 24 522 10            | 24 782 05          |
| 61513           | -               | 24 014 42               | 24 522 06            | 24 782 05          | 61528           | -               | 24 014 42               | 24 522 09            | 24 782 05          |
| 61514           | 61514           | 24 014 42               | 24 522 05            | 24 782 05          | 61530           | -               | 24 014 42               | 24 522 02            | 24 782 05          |
| 61515           | 61515           | 24 014 42               | 24 522 09            | 24 782 05          | 61531           | -               | 24 014 42               | 24 522 02            | 24 782 05          |
| 61516           | -               | 24 014 42               | 24 522 09            | 24 782 05          |                 |                 |                         |                      |                    |
| 61617           | -               | 24 014 42               | 24 522 09            | 24 782 05          |                 |                 |                         |                      |                    |
| 61518           | -               | 24 014 42               | 24 522 10            | 24 782 05          |                 |                 |                         |                      |                    |
| 61500           | 61500           | 24 014 32               | 24 522 18            | 24 782 05          |                 |                 |                         |                      |                    |
| 61521           | -               | 24 014 80               | 24 522 05            | 24 782 05          |                 |                 |                         |                      |                    |
| 61522           | -               | 24 014 42               | 24 522 05            | 24 782 05          |                 |                 |                         |                      |                    |
| 61523           | -               | 24 014 42               | 24 522 10            | 24 782 05          |                 |                 |                         |                      |                    |

\*Basic Engine. All Short Blocks and Miniblocks include an overhead gasket set.

## Special Features

Near the end of the Parts Manual Binder is a separate section devoted to repair options for major damage. "Selection Guides" for each model engine give several different methods of repairing Kohler Engines.....with the choice dependent on shop facilities, costs, and allowable downtime of the engine and/or equipment.

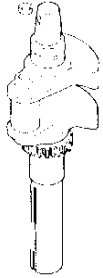
Selection Guides are easy references for determining Part Numbers of Replacement Engines, Short Blocks, or Miniblocks. They also list Part Numbers of crankshafts installed in original engines.

Here is what you'll find:

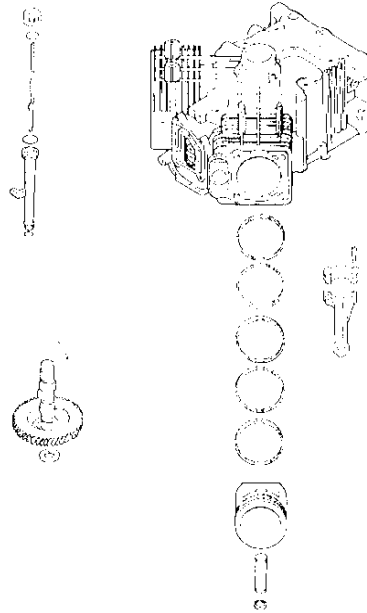
- Engine model is identified on each page for easy reference.
- Bold column heads identify the various repower options for every engine spec.
- Replacement Engines, Short Blocks, or Miniblocks.

# Composite Exploded View

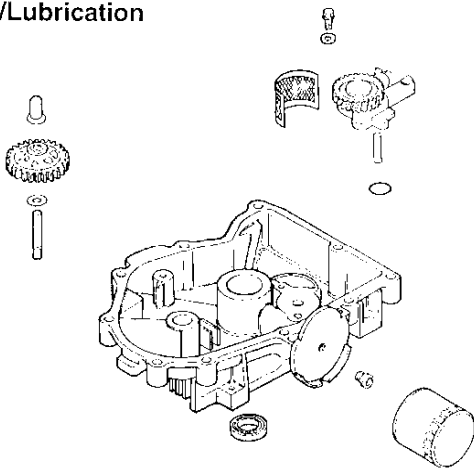
**Group 1  
Crankshaft**



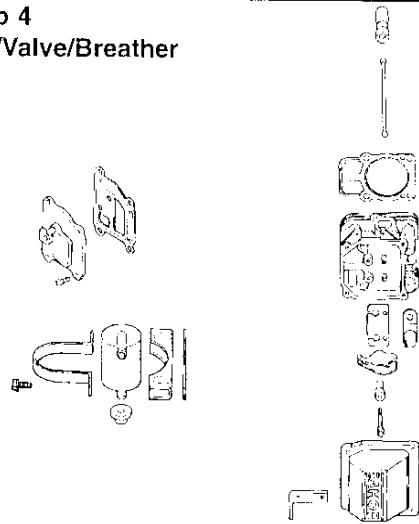
**Group 2  
Crankcase**



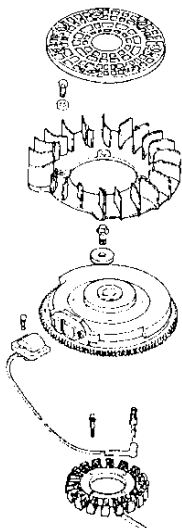
**Group 3  
Oil Pan/Lubrication**



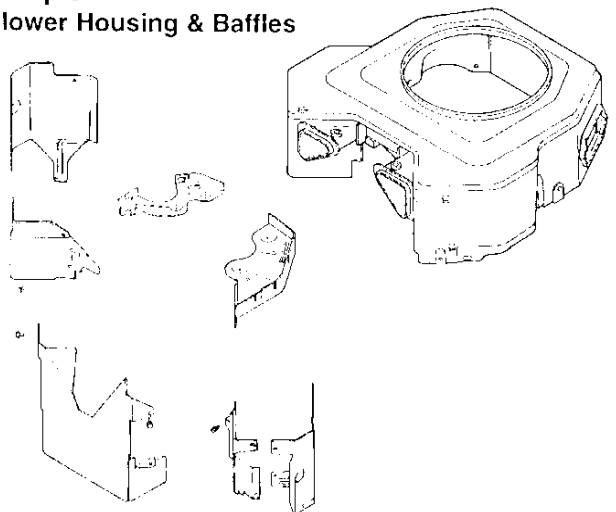
**Group 4  
Head/Valve/Breather**



**Group 5  
Ignition/Electrical**

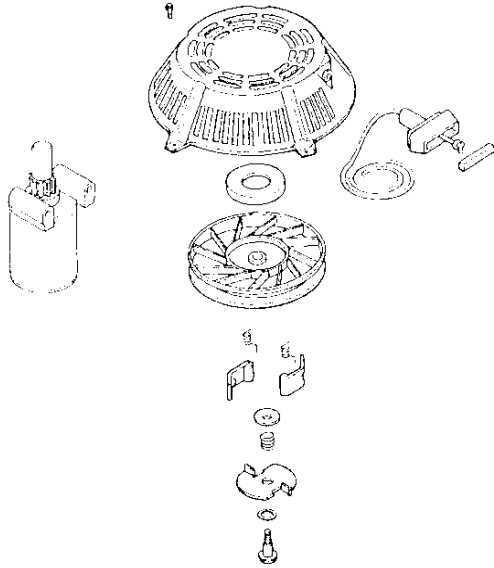


**Group 6  
Blower Housing & Baffles**

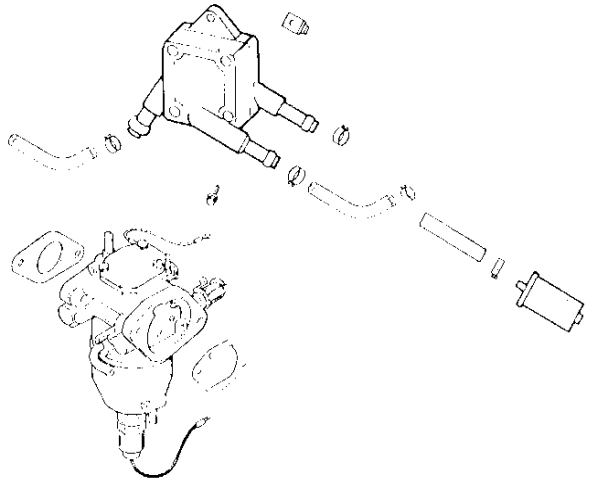


# Composite Exploded View

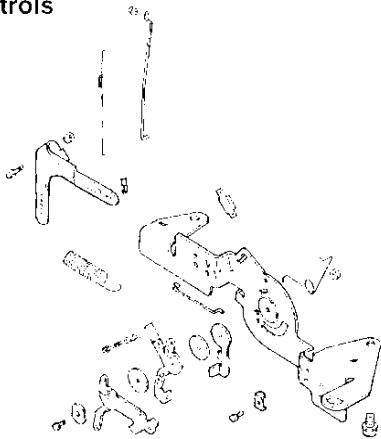
**Group 7**  
Starting System



**Group 8**  
Fuel System



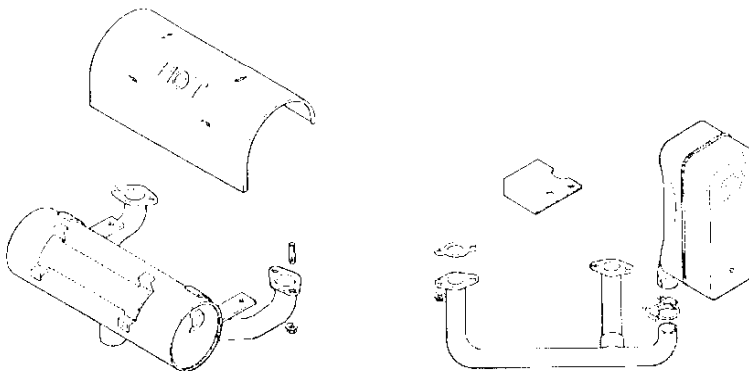
**Group 9**  
Engine Controls



**Group 10**  
Air Intake



**Group 11**  
Exhaust



## Specification Number Index

| Group Title & Number | Crankshaft | Crankcase | Oil Pan/Lubrication | Head/Valve/Breather | Ignition/Electrical | Blower Housing & Baffles | Starting System | Fuel System | Engine Controls | Air Intake/Filtration | Exhaust |
|----------------------|------------|-----------|---------------------|---------------------|---------------------|--------------------------|-----------------|-------------|-----------------|-----------------------|---------|
|                      | 1          | 2         | 3                   | 4                   | 5                   | 6                        | 7               | 8           | 9               | 10                    | 11      |
| <b>Page No.</b>      | 8          | 9         | 11                  | 16                  | 20                  | 27                       | 30              | 34          | 44              | 48                    | 53      |
| <b>Grid No.</b>      | A8         | A9        | A11                 | B2                  | B6                  | B13                      | C2              | C6          | D2              | D6                    | D11     |

**Spec. No.**

**Variation No.**

|       |     |     |     |      |     |     |     |     |     |     |     |
|-------|-----|-----|-----|------|-----|-----|-----|-----|-----|-----|-----|
| 61500 | 18  | 201 | 74  | 400  | 71  | 400 | 200 | 400 | 10  | 400 | 3   |
| 61501 | 18  | 201 | 76  | 401  | 404 | 405 | 200 | 401 | 400 | 6   | 13  |
| 61510 | 4   | 201 | 33  | 402  | 52  | 14  | 200 | 402 | 400 | 6   | 13  |
| 61511 | 18  | 201 | 27  | 403  | 52  | 81  | 200 | 403 | 401 | 6   | 400 |
| 61512 | 4   | 201 | 27  | 403  | 52  | 52  | 200 | 401 | 401 | 6   | 401 |
| 61513 | 18  | 201 | 400 | 401  | 403 | 401 | 200 | 401 | 400 | 6   | 15  |
| 61514 | 18  | 201 | 400 | 404  | 400 | 402 | 200 | 400 | 21  | 400 | 52  |
| 61515 | 18  | 201 | 400 | 404  | 77  | 11  | 200 | 400 | 21  | 400 | 52  |
| 61516 | 18  | 2   | 38  | 401  | 76  | 9   | 200 | 53  | 19  | 6   | 27  |
| 61517 | 18  | 201 | 400 | 404  | 401 | 407 | 200 | 68  | 402 | 401 | 38  |
| 61518 | 18  | 201 | 402 | 405  | 52  | 81  | 200 | 401 | 401 | 6   | 400 |
| 61520 | 20  | 201 | 38  | 401  | 76  | 9   | 200 | 53  | 19  | 6   | 27  |
| 61521 | 26  | 201 | 5   | 402  | 142 | 14  | 200 | 89  | 45  | 6   | 47  |
| 61522 | 18  | 200 | 5   | 400  | 169 | 11  | 6   | 98  | 36  | 402 | 38  |
| 61523 | 18  | 201 | 5   | 28   | 159 | 118 | 200 | 103 | 55  | 6   | 400 |
| 61524 | 18  | 13  | 17  | 12   | 186 | 14  | 6   | 40  | 19  | 6   | 402 |
| 61525 | 4   | 10  | 82  | 408  | 52  | 83  | 2   | 40  | 48  | 6   | 408 |
| 61526 | 18  | 10  | 17  | 406  | 77  | 11  | 2   | 23  | 18  | 402 | 52  |
| 61527 | 18  | 10  | 17  | 29   | 192 | 14  | 2   | 40  | 55  | 6   | 403 |
| 61528 | 18  | 10  | 17  | 15   | 77  | 11  | 2   | 23  | 21  | 3   | 52  |
| 61530 | 18  | 35  | 5   | 11   | 204 | 116 | 10  | 118 | 48  | 6   | 409 |
| 61531 | 18  | 13  | 5   | 11   | 197 | 116 | 9   | 118 | 48  | 6   | 38  |
| 65500 | 18  | 201 | 75  | 400  | 71  | 403 | 200 | 37  | 10  | 400 | 3   |
| 65501 | 18  | 201 | 76  | 401  | 404 | 405 | 200 | 404 | 400 | 6   | 13  |
| 65511 | 4   | 201 | 33  | 402  | 52  | 14  | 200 | 404 | 400 | 6   | 13  |
| 65513 | 201 | 201 | 5   | 402  | 402 | 404 | 200 | 85  | 19  | 6   | 24  |
| 65514 | 4   | 201 | 27  | 403  | 52  | 52  | 200 | 404 | 401 | 6   | 401 |
| 65515 | 4   | 201 | 27  | 402  | 52  | 81  | 200 | 72  | 403 | 6   | 24  |
| 65516 | 18  | 2   | 38  | 401  | 76  | 9   | 200 | 54  | 19  | 6   | 27  |
| 65517 | 18  | 201 | 400 | 404  | 401 | 407 | 200 | 69  | 402 | 401 | 38  |
| 65518 | 18  | 200 | 43  | 400  | 96  | 11  | 6   | 75  | 47  | 400 | 38  |
| 65519 | 201 | 10  | 81  | 407  | 142 | 83  | 200 | 39  | 48  | 25  | 404 |
| 65520 | 20  | 201 | 38  | 401  | 76  | 9   | 200 | 54  | 19  | 6   | 27  |
| 65521 | 200 | 201 | 402 | 401  | 35  | 81  | 200 | 39  | 19  | 6   | 24  |
| 65522 | 26  | 201 | 5   | 402  | 142 | 85  | 200 | 88  | 45  | 6   | 53  |
| 65523 | 18  | 10  | 401 | 408  | 159 | 118 | 200 | 93  | 48  | 6   | 15  |
| 65524 | 18  | 201 | 5   | 28   | 159 | 118 | 200 | 93  | 55  | 6   | 400 |
| 65525 | 18  | 10  | 28  | 407  | 35  | 27  | 2   | 39  | 48  | 6   | 15  |
| 65526 | 18  | 13  | 17  | 4707 | 217 | 14  | 6   | 39  | 19  | 6   | 402 |
| 65527 | 202 | 13  | 17  | 406  | 169 | 11  | 6   | 73  | 36  | 402 | 38  |
| 65528 | 4   | 10  | 82  | 408  | 52  | 83  | 2   | 39  | 48  | 6   | 408 |
| 65529 | 18  | 10  | 28  | 29   | 52  | 81  | 2   | 39  | 55  | 6   | 400 |
| 65530 | 202 | 13  | 5   | 14   | 169 | 11  | 6   | 73  | 36  | 402 | 38  |
| 65531 | 18  | 10  | 17  | 38   | 202 | 11  | 2   | 37  | 21  | 3   | 52  |
| 65532 | 18  | 10  | 17  | 38   | 202 | 11  | 2   | 37  | 18  | 3   | 52  |

## Specification Number Index

| Group Title & Number | Crankshaft | Crankcase | Oil Pan/Lubrication | Head/Valve/Breather | Ignition/Electrical | Blower Housing & Baffles | Starting System | Fuel System | Engine Controls | Air Intake/Filtration | Exhaust |
|----------------------|------------|-----------|---------------------|---------------------|---------------------|--------------------------|-----------------|-------------|-----------------|-----------------------|---------|
|                      | 1          | 2         | 3                   | 4                   | 5                   | 6                        | 7               | 8           | 9               | 10                    | 11      |
| <b>Page No.</b>      | 8          | 9         | 11                  | 16                  | 20                  | 27                       | 30              | 34          | 44              | 48                    | 53      |
| <b>Grid No.</b>      | A8         | A9        | A11                 | B2                  | B6                  | B13                      | C2              | C6          | D2              | D6                    | D11     |

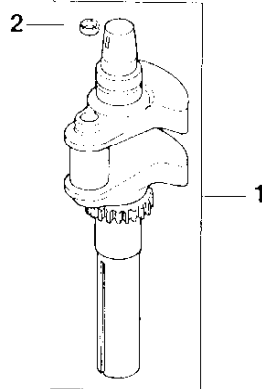
**Spec. No.**

**Variation No.**

|       |     |     |     |     |     |     |     |     |     |     |     |
|-------|-----|-----|-----|-----|-----|-----|-----|-----|-----|-----|-----|
| 67500 | 18  | 201 | 75  | 400 | 74  | 403 | 200 | 37  | 10  | 400 | 3   |
| 67501 | 18  | 201 | 76  | 401 | 205 | 405 | 200 | 404 | 400 | 6   | 13  |
| 67509 | 4   | 201 | 33  | 402 | 138 | 14  | 200 | 404 | 403 | 6   | 13  |
| 67510 | 201 | 201 | 30  | 401 | 59  | 14  | 200 | 404 | 400 | 10  | 404 |
| 67511 | 201 | 201 | 23  | 401 | 176 | 27  | 200 | 404 | 400 | 6   | 21  |
| 67512 | 201 | 201 | 27  | 402 | 153 | 406 | 200 | 85  | 403 | 6   | 405 |
| 67513 | 4   | 201 | 27  | 402 | 138 | 27  | 200 | 72  | 48  | 6   | 24  |
| 67514 | 4   | 11  | 36  | 401 | 194 | 106 | 200 | 108 | 19  | 6   | 28  |
| 67515 | 202 | 200 | 5   | 400 | 219 | 11  | 6   | 73  | 36  | 400 | 38  |
| 67516 | 20  | 201 | 36  | 401 | 132 | 27  | 200 | 54  | 19  | 6   | 27  |
| 67517 | 18  | 201 | 402 | 405 | 205 | 405 | 200 | 39  | 54  | 6   | 46  |
| 67518 | 4   | 201 | 402 | 404 | 140 | 47  | 200 | 99  | 18  | 400 | 406 |
| 67519 | 201 | 201 | 23  | 401 | 138 | 27  | 200 | 39  | 59  | 6   | 38  |
| 67520 | 202 | 200 | 17  | 404 | 91  | 11  | 6   | 73  | 36  | 402 | 38  |
| 67522 | 18  | 13  | 28  | 407 | 75  | 27  | 6   | 39  | 19  | 6   | 402 |
| 67523 | 4   | 10  | 82  | 11  | 138 | 83  | 2   | 39  | 48  | 6   | 408 |
| 67524 | 18  | 10  | 81  | 407 | 138 | 113 | 2   | 60  | 48  | 6   | 24  |
| 69500 | 17  | 20  | 68  | 27  | 161 | 93  | 2   | 95  | 10  | 18  | 3   |
| 69501 | 17  | 20  | 60  | 25  | 206 | 120 | 2   | 86  | 48  | 6   | 58  |
| 69511 | 23  | 36  | 68  | 27  | 179 | 93  | 2   | 104 | 58  | 24  | 38  |
| 69512 | 5   | 20  | 60  | 25  | 135 | 102 | 2   | 86  | 48  | 6   | 56  |

# CV18-25

## Group 1 Crankshaft

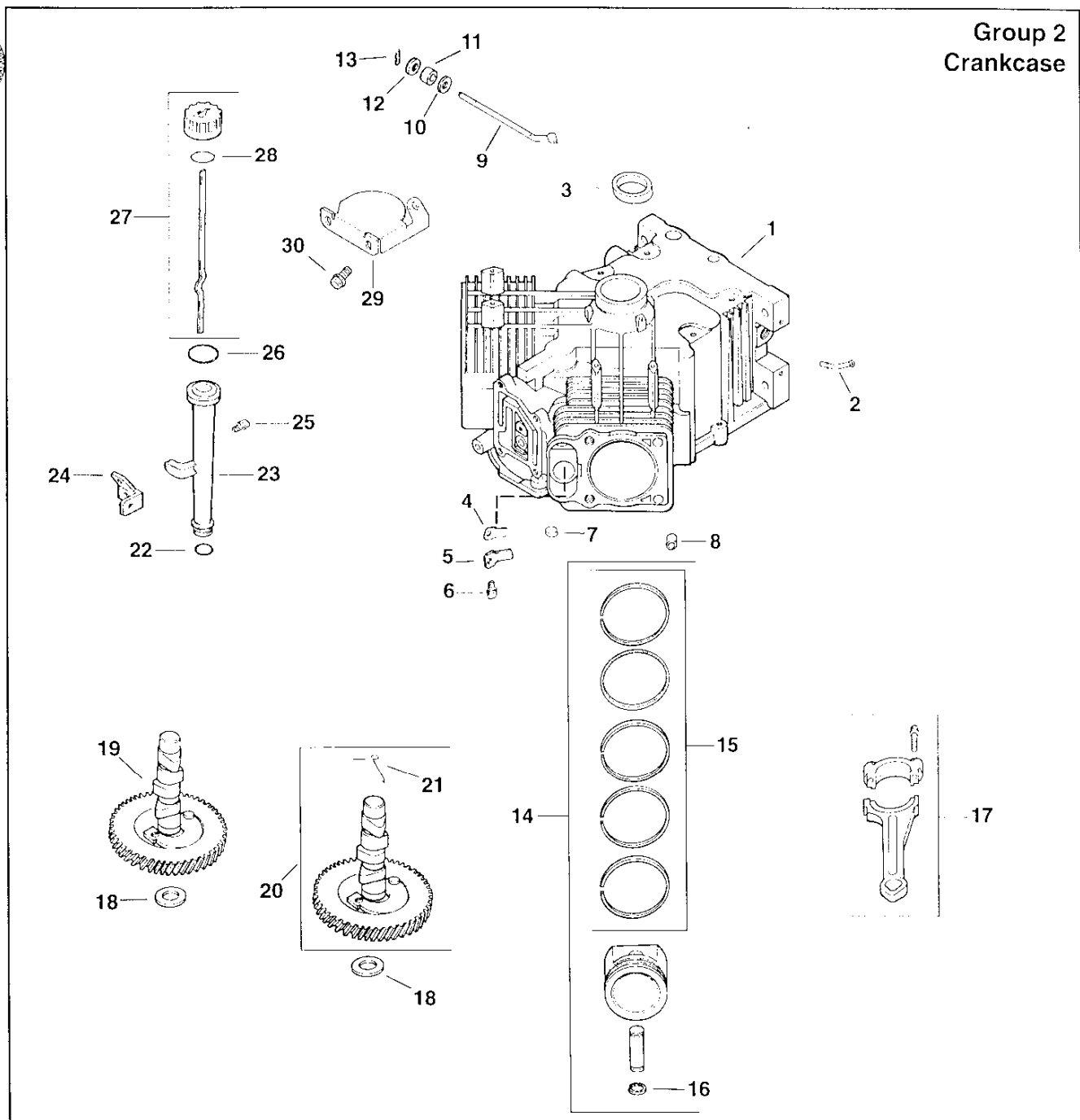


| Index Number | Description<br>Variation Number             | Part Number | Index Number | Description<br>Variation Number   | Part Number |
|--------------|---|-------------|--------------|---|-------------|
| 1            | <b>Crankshaft</b><br>(Includes 2)<br>4      | 24 014 22   | 1            | <b>Crankshaft</b><br>(Includes 2)<br>23,202   | 24 014 72   |
| 1            | <b>Crankshaft</b><br>(Includes 2)<br>5,200  | 24 014 14   | 1            | <b>Crankshaft</b><br>(Includes 2)<br>26   | 24 014 80   |
| 1            | <b>Crankshaft</b><br>(Includes 2)<br>17,201 | 24 014 44   | 2            | <b>Plug, cup</b><br>(Order according to design used<br>on engine)<br>4,18,20,26,201,202,203<br>new design (16.88 mm diameter) | 52 139 09   |
| 1            | <b>Crankshaft</b><br>(Includes 2)<br>18     | 24 014 42   |              | original design (11.40 mm diameter)   | 12 139 01   |
| 1            | <b>Crankshaft</b><br>(Includes 2)<br>20     | 24 014 32   | 2            | <b>Plug, cup</b><br>5,17,23   | 52 139 09   |



# CV18-25

## Group 2 Crankcase



| Index Number | Description<br>Variation Number   | Part Number | Index Number | Description<br>Variation Number  | Part Number |
|--------------|---|-------------|--------------|--|-------------|
| 1            | <b>Crankcase</b> (Service with Short Block or Miniblock. Refer to Selection Guide TP-2462.) |             | 6            | <b>Screw, hex. flange M5x0.8x10 (2)</b><br>2,10,11,13,20,35,36,200,201 | M-0545010   |
| 2            | <b>Fitting</b><br>2,10,11,13,20,35,36,200,201   | 24 294 03   | 7            | <b>Plug, cup</b><br>2,10,11,13,20,35,36,200,201                        | 52 139 09   |
| 3            | <b>Seal, oil</b><br>2,10,11,13,20,35,36,200,201   | 24 032 01   | 8            | <b>Pin, dowel locating (6)</b><br>2,10,11,13,20,35,36,200,201          | 12 380 03   |
| 4            | <b>Reed, breather (2)</b><br>2,10,11,13,20,35,36,200,201                                    | 24 402 05   | 9            | <b>Shaft, governor cross</b><br>2,10,11,13,20,35,36,200,201            | 24 144 01   |
| 5            | <b>Retainer, reed (2)</b><br>2,10,11,13,20,35,36,200,201                                    | 24 018 04   | 10           | <b>Washer, plain 1/4"</b><br>2,10,11,13,20,35,36,200,201               | X-25-102    |

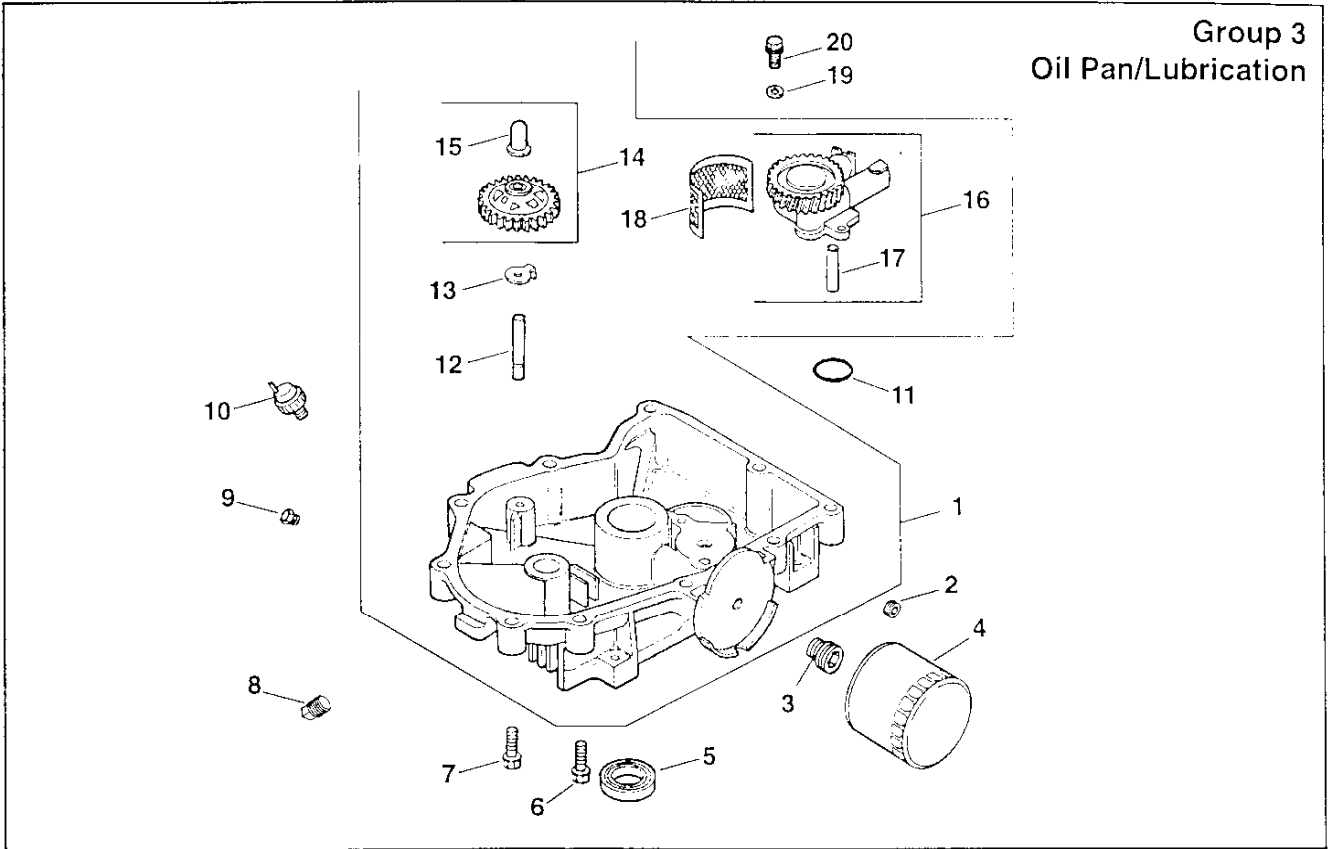
**Crankcase  
(Cont.)**

**CV18-25**

| <b>Index Number</b> | <b>Description<br/>Variation Number</b>  | <b>Part Number</b> | <b>Index Number</b> | <b>Description<br/>Variation Number</b>  | <b>Part Number</b> |
|---------------------|--|--------------------|---------------------|--|--------------------|
| 11                  | <b>Seal, governor cross shaft</b><br>2,10,11,13,20,35,36,200,201                         | 12 032 01          | 18                  | <b>Shim, camshaft (A.R.) (blue)</b><br>(.02925 - .03075)<br>2,10,11,13,20,35,36,200,201  | 12 422 08          |
| 12                  | <b>Washer, plain 1/4"</b><br>2,10,11,13,20,35,36,200,201                                 | X-25-63            | 18                  | <b>Shim, camshaft (A.R.) (red)</b><br>(.03125 - .03275)<br>2,10,11,13,20,35,36,200,201   | 12 422 09          |
| 13                  | <b>Pin, hitch</b><br>2,10,11,13,20,35,36,200,201   | 12 380 04          | 18                  | <b>Shim, camshaft (yellow)</b><br>(.03325 - .03475)<br>2,10,11,13,20,35,36,200,201       | 12 422 10          |
| 14                  | <b>Piston w/Ring Set (Std.) (2)</b><br>(Includes 15,16)<br>2,10,11,13,35,200,201         | 24 874 01          | 18                  | <b>Shim, camshaft (A.R.) (green)</b><br>(.03525 - .03675)<br>2,10,11,13,20,35,36,200,201 | 12 422 11          |
| 14                  | <b>Piston w/Ring Set (Std.) (2)</b><br>(Includes 15,16)<br>20,36                         | 24 874 04          | 18                  | <b>Shim, camshaft (A.R.) (gray)</b><br>(.03725 - .03875)<br>2,10,11,13,20,35,36,200,201  | 12 422 12          |
| 14                  | <b>Piston w/Ring Set (.25) (2)</b><br>(Includes 15,16)<br>2,10,11,13,35,200,201          | 24 874 02          | 18                  | <b>Shim, camshaft (A.R.) (black)</b><br>(.03925 - .04075)<br>2,10,11,13,20,35,36,200,201 | 12 422 13          |
| 14                  | <b>Piston w/Ring Set (.50) (2)</b><br>(Includes 15,16)<br>2,10,11,13,35,200,201          | 24 874 03          | 19                  | <b>Camshaft</b><br>2,10,11,20,36,201   | 24 012 05          |
| 15                  | <b>Ring Set (Std.) (2)</b><br>2,10,11,13,35,200,201                                      | 24 108 01          | 20                  | <b>Camshaft</b><br>(Includes 21)<br>13,35,200  | 24 010 03          |
| 15                  | <b>Ring Set (Std.) (2)</b><br>20,36  | 24 108 04          | 21                  | <b>Spring, actuating (ACR)</b><br>13,35,200  | 24 089 21          |
| 15                  | <b>Ring Set (.25) (2)</b><br>2,10,11,13,35,200,201                                       | 24 108 02          | 22                  | <b>O-Ring</b><br>2,10,11,13,20,35,36,200,201   | 12 153 01          |
| 15                  | <b>Ring Set (.50) (2)</b><br>2,10,11,13,35,200,201                                       | 24 108 03          | 23                  | <b>Tube, oil fill</b><br>2,10,11,13,20,35,36,200,201                                     | 12 123 04          |
| 16                  | <b>Retainer, piston pin (4)</b><br>2,10,11,13,35,20,36,200,201                           | 24 018 01          | 24                  | <b>Bracket, oil fill tube</b><br>2,10,11,13,20,35,36,200,201                             | 24 126 19          |
| 17                  | <b>Connecting Rod (Std.) (2)</b><br>(Replaced by 24 067 05)<br>2,11,200,201              | 24 067 01          | 25                  | <b>Screw, hex. flange M5x0.8x16</b><br>2,10,11,13,20,35,36,200,201                       | M-0545016          |
| 17                  | <b>Connecting Rod (Std.) (2)</b><br>10,13,35,36  | 24 067 05          | 26                  | <b>O-Ring</b><br>2,10,11,13,20,35,36,200,201   | 12 153 02          |
| 17                  | <b>Connecting Rod (Std.) (2)</b><br>20   | 24 067 09          | 27                  | <b>Dipstick assembly</b><br>(Includes 28)<br>2,10,11,13,20,35,36,200,201                 | 24 038 04          |
| 17                  | <b>Connecting Rod (.25) (2)</b><br>(Replaced by 24 067 06)<br>2,11,200,201               | 24 067 02          | 28                  | <b>O-Ring</b><br>2,10,11,13,20,35,36,200,201   | 12 153 03          |
| 17                  | <b>Connecting Rod (.25)</b><br>10,13,35,36   | 24 067 06          | 29                  | <b>Cover, starter hole</b><br>35   | 24 096 41          |
| 17                  | <b>Connecting Rod (.25)</b><br>20  | 24 067 10          | 30                  | <b>Screw, hex. flange M8x1.25x20 (2)</b><br>35   | M-0839020          |
| 18                  | <b>Shim, camshaft (A.R.) (white)</b><br>(.02725 - .02875)<br>2,10,11,13,20,35,36,200,201 | 12 422 07          |                     |  |                    |

# CV18-25

## Group 3 Oil Pan/Lubrication



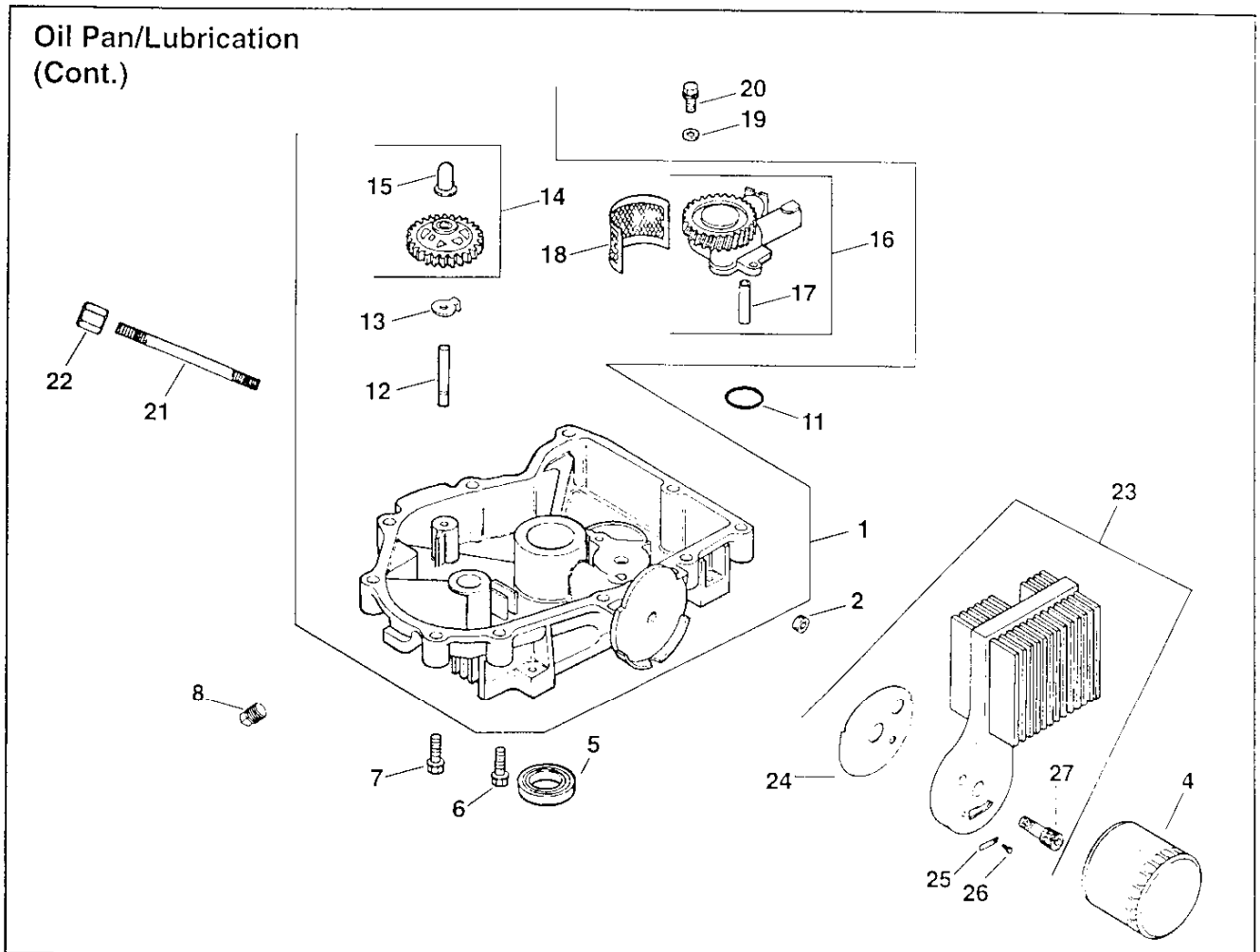
| Index Number | Description (Qty.)<br>Variation Number  | Part Number | Index Number | Description (Qty.)<br>Variation Number   | Part Number |
|--------------|---|-------------|--------------|--|-------------|
| 1            | <b>Oil pan assembly</b><br>(Includes 12-18)<br>5,17,23,27,28,30,33,36,38,43,74,<br>75,76,81,400,401,402       | 24 199 07   | 8            | <b>Plug, sq. hd. solid 3/8" N.P.T.F.</b><br>5,17,23,27,28,30,33,36,38,81,82,<br>400,401,402                            | X-75-10     |
| 1            | <b>Oil pan assembly</b><br>(Includes 12-18)<br>33,82  | 24 199 08   | 9            | <b>Plug, hex. hd. 3/8"</b><br>60,68,74,75,76,402   | 52 139 02   |
| 2            | <b>Plug, allen hd. 3/8"</b><br>5,17,27,28,30,33,36,38,39,43,60,<br>68,74,75,76,81,82,400,401,402              | X-75-32     | 10           | <b>Switch, oil pressure</b><br>17,23,28,60,76,81,400,402   | 52 099 06   |
| 3            | <b>Nipple, oil filter</b><br>5,17,30,38,43,74,400   | 24 136 01   | 10           | <b>Switch, oil pressure</b><br>30  | 48 099 07   |
| 3            | <b>Nipple, oil filter</b><br>(Use after Serial No. 2505300007)<br>401   | 24 136 01   | 10           | <b>Switch, oil pressure</b><br>36,38   | 52 099 05   |
| 4            | <b>Filter, oil</b><br>5,17,23,27,28,30,33,36,38,43,60,<br>68,74,75,76,81,82,400,401,402                       | 12 050 01   | 11           | <b>O-Ring</b><br>5,17,23,27,28,30,33,36,38,43,74,<br>75,76,81,82,400,401,402   | 24 153 08   |
| 4            | <b>Filter, oil</b><br>30  | 277233      | 12           | <b>Shaft, governor gear</b><br>5,17,23,27,28,30,33,36,38,43,60,<br>68,74,75,76,81,82,400,401,402                       | 12 144 02   |
| 5            | <b>Seal, oil (PTO end)</b><br>5,17,23,27,28,30,33,36,38,43,60,<br>68,74,75,76,81,82,400,401,402               | 52 032 08   | 13           | <b>Tab, locking</b><br>5,17,23,27,28,30,33,36,38,43,60,<br>68,74,75,76,81,82,400,401,402                               | 52 448 02   |
| 6            | <b>Screw, hex. flange M8x1.25x45</b><br>5,17,23,27,28,30,33,36,38,43,60,<br>68,74,75,76,81,82,400,401,402     | 24 086 17   | 14           | <b>Kit, governor gear w/ pin</b><br>(Includes 15)<br>5,17,23,27,28,30,33,36,38,43,60,<br>68,74,75,76,81,82,400,401,402 | 24 043 12   |
| 7            | <b>Screw, hex. flange M8x1.25x45 (9)</b><br>5,17,23,27,28,30,33,36,38,43,60,<br>68,74,75,76,81,82,400,401,402 | 24 086 16   | 15           | <b>Pin, governor regulating</b><br>5,17,23,27,28,30,33,36,38,43,60,<br>68,74,75,76,81,82,400,401,402                   | 12 380 01   |

**Oil Pan/Lubrication  
(Cont.)**

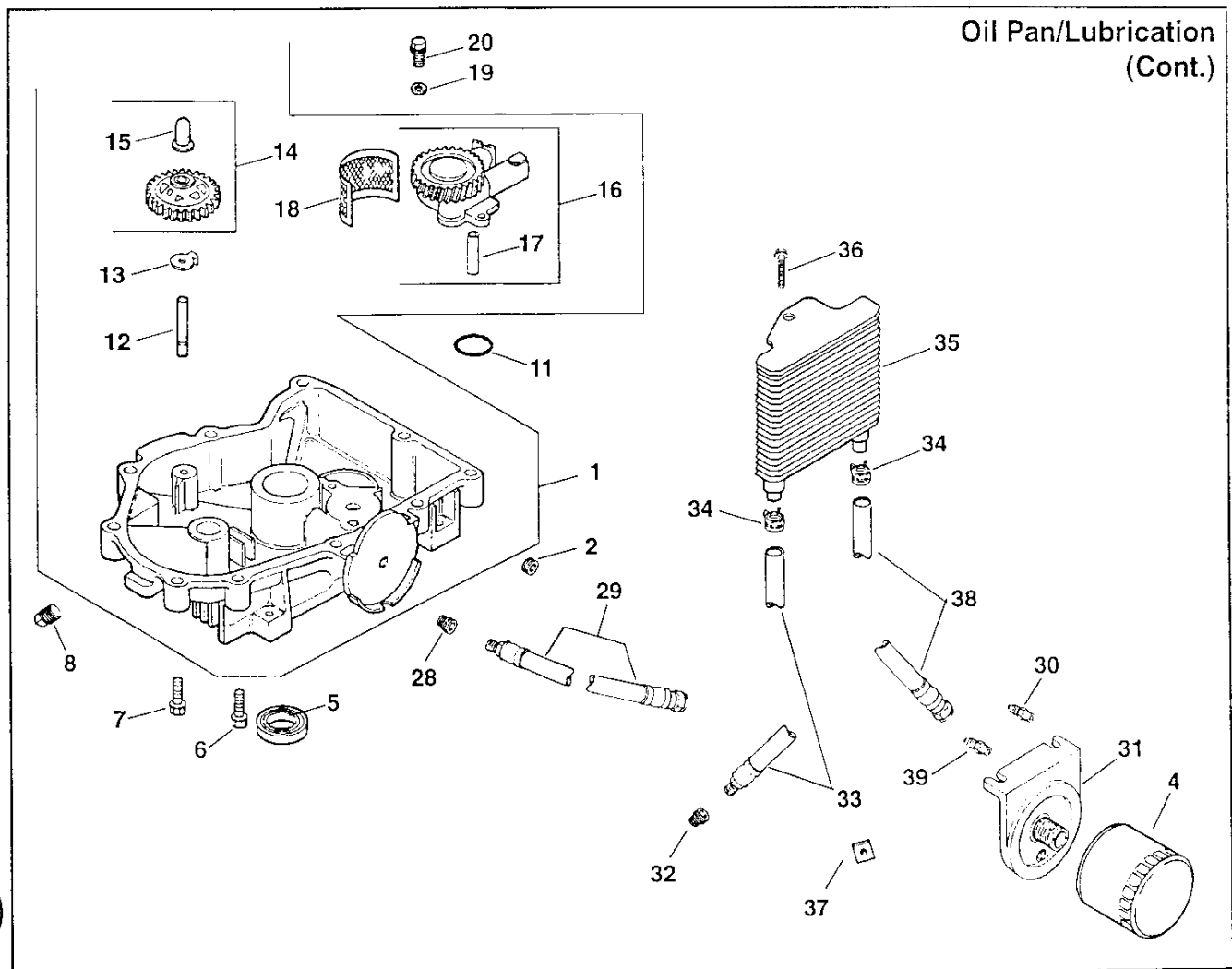
**CV18-25**

| Index Number | Description (Qty.)<br>Variation Number  | Part Number | Index Number | Description (Qty.)<br>Variation Number  | Part Number |
|--------------|---|-------------|--------------|---|-------------|
| 16           | Oil pump assembly (13 mm)<br>(Reference No. 24 327 02 stamped on housing)<br>(Use before Serial No.2417121727)<br>(Includes 17)<br>5,17,23,27,30,33,36,38,43,74,75,76,400,402       | 24 393 05   | 17           | Tube, oil pickup<br>5,17,23,27,28,30,33,36,38,43,60,68,74,75,76,81,82,400,401,402                 | 24 123 05   |
| 16           | Oil pump assembly (17 mm)<br>(Reference No. 24 237 03 or 04 stamped on housing)<br>(Use after Serial No. 2417121737)<br>(Includes 17)<br>5,17,23,27,30,33,36,38,43,74,75,76,400,402 | 24 393 08   | 18           | Screen, oil pickup<br>(To be replaced by 25 162 07)<br>5,23,27,30,33,36,38,43,74,75,76,400,402    | 12 162 02   |
| 16           | Oil pump assembly (17 mm)<br>(Reference No. 24 237 03 or 04 stamped on housing)<br>(Includes 17)<br>28,60,68,81,82,401  | 24 393 08   | 18           | Screen, oil pickup<br>17,28,60,68,81,82,401   | 25 162 07   |
|              |   |             | 19           | Washer, plain 6 mm (2)<br>5,17,23,27,28,30,33,36,38,43,60,68,74,75,76,81,82,400,401,402           | M-0631005   |
|              |   |             | 20           | Screw, hex. flange M6x1.0x25 (2)<br>5,17,23,27,28,30,33,36,38,43,60,68,74,75,76,81,82,400,401,402 | M-0645025   |

**Oil Pan/Lubrication  
(Cont.)**



| Index Number | Description (Qty.)<br>Variation Number   | Part Number | Index Number | Description (Qty.)<br>Variation Number  | Part Number |
|--------------|--|-------------|--------------|---|-------------|
| 21           | Nipple, pipe 1-1/2"<br>23  | 12 136 07   | 24           | Gasket, oil filter adapter<br>(Use before Serial No. 2505300017)<br>(Replaced by 24 041 29) |             |
| 21           | Nipple, pipe 5-5/16"<br>(Replaced by 12 136 11)<br>43                            | 12 136 04   | 401          |   | 24 041 12   |
| 22           | Cap, pipe<br>23,43   | 12 173 03   | 25           | Reed, oil relief<br>23,27,28,36,75,76,402   | 24 402 02   |
| 23           | Kit, oil cooler<br>(Includes 24-27)<br>23,27,28,36,75,76,402                     | 24 755 52   | 25           | Reed, oil relief<br>(Use before Serial No. 2505300017)<br>401                               | 24 402 02   |
| 23           | Kit, oil cooler<br>(Includes 24-27)<br>(Use before Serial No. 2505300017)<br>401 | 24 755 52   | 26           | Screw, hex. cap M4x0.7x10<br>23,27,28,36,75,76,402  | M-0448010   |
| 24           | Gasket, oil filter adapter<br>(Replaced by 24 041 29)<br>23,27,28,36,75,76,402   | 24 041 12   | 26           | Screw, hex. cap M4x0.7x10<br>(Use before Serial No. 2505300017)<br>401                      | M-0448010   |
|              |  |             | 27           | Nipple, oil filter<br>23,27,28,36,60,68,75,76,81,402  | 24 136 03   |
|              |  |             | 27           | Nipple, oil filter<br>(Use before Serial No. 2505300017)<br>401                             | 24 136 03   |

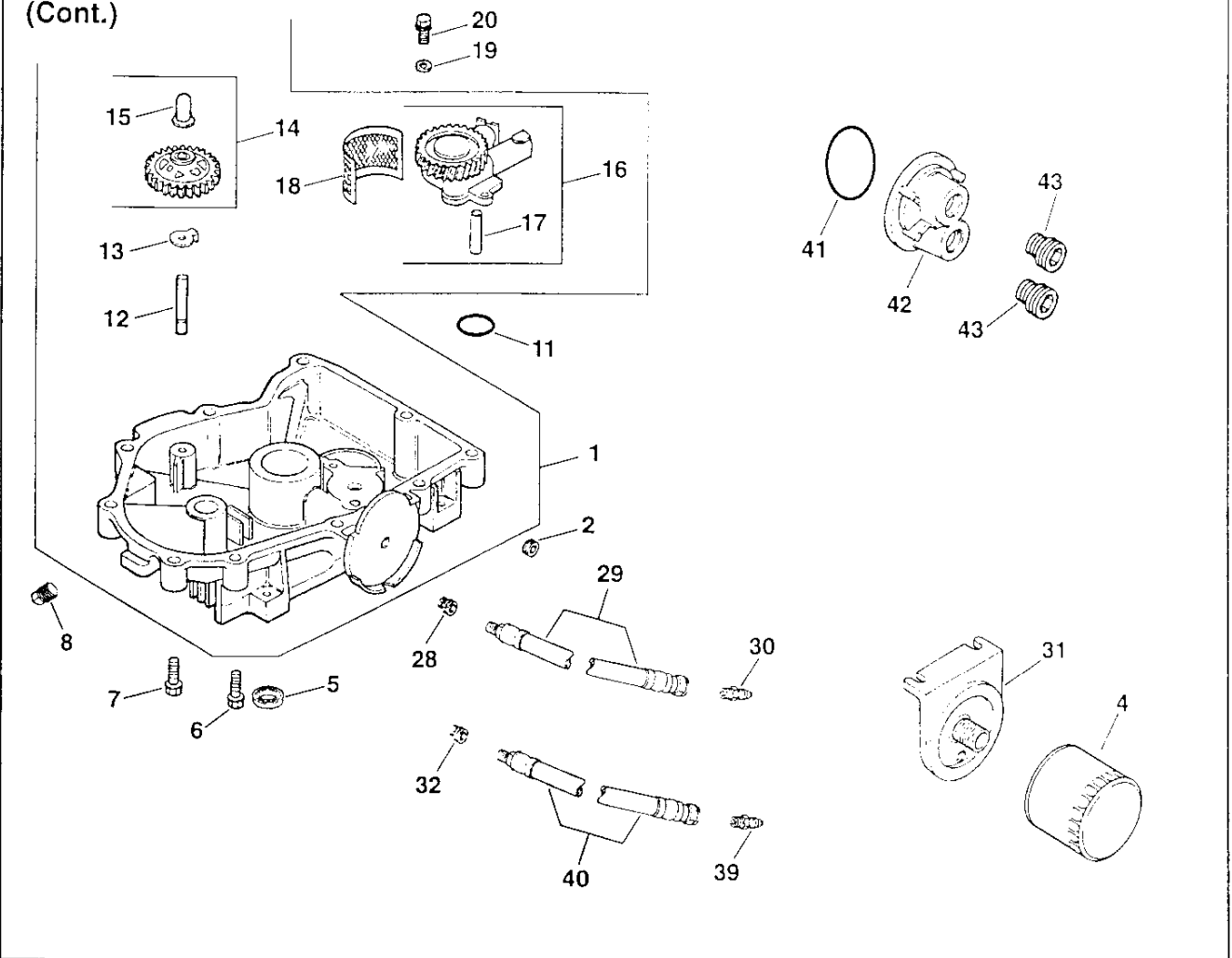


**Oil Pan/Lubrication  
(Cont.)**

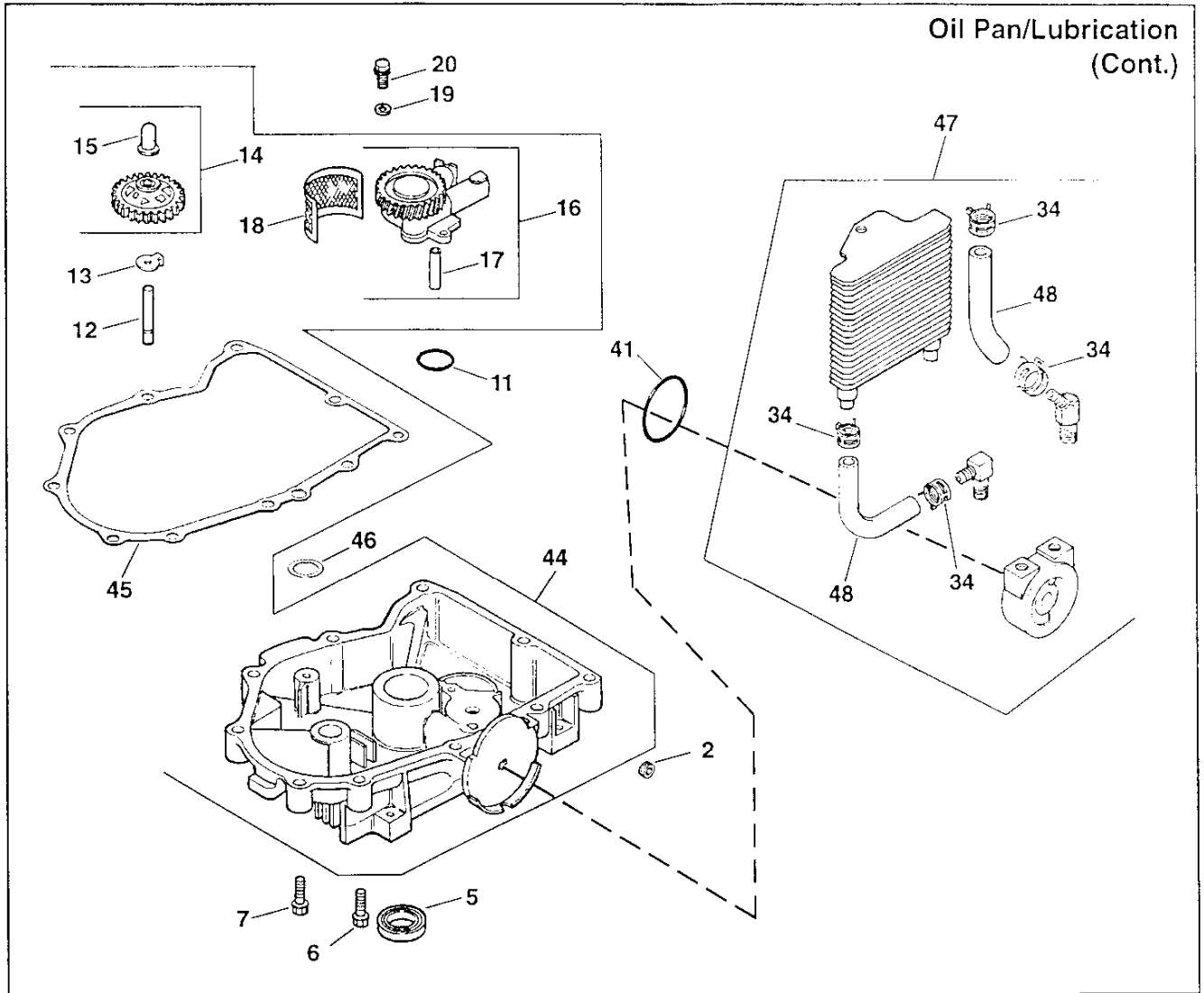
**CV18-25**

| Index Number | Description (Qty.)<br>Variation Number   | Part Number | Index Number | Description (Qty.)<br>Variation Number                                   | Part Number |
|--------------|--|-------------|--------------|--|-------------|
| 28           | Bushing, reducing<br>33,82   | 25 158 12   | 34           | Clamp, hose (4)<br>60  | 24 237 03   |
| 29           | Oil line (red tracer)<br>(1/4-18 NPSM female swivel<br>coupling, 1/8-27 N.P.T.F. male rigid<br>coupling x 16" long)<br>33,82 | 12 326 05   | 34           | Clamp, hose (2)<br>82  | 24 237 03   |
| 30           | Nipple, hex.<br>(1/4-18 N.P.T.F. x 1" long)<br>33,82   | 52 136 02   | 35           | Cooler, oil<br>82  | 24 594 12   |
| 31           | Adapter, remote oil filter<br>30,33,82   | 25 029 01   | 36           | Screw, hex. cap - tapping 18 mm (2)<br>60,68,81,82                       | 24 086 12   |
| 32           | Bushing, reducing<br>33,82   | 25 158 13   | 37           | Nut, plastic (2)<br>60,68,81,82  | 24 100 01   |
| 33           | Oil line<br>(1/8"-27 N.P.T.F. male rigid<br>coupling x 11")<br>82  | 24 326 12   | 38           | Oil line<br>(1/2-20 SAE 45° flare female swivel<br>coupling x 15")<br>82 | 24 326 11   |
|              |  |             | 39           | Connector, reducing<br>33,82   | 52 155 03   |

**Oil Pan/Lubrication  
(Cont.)**



| Index Number | Description (Qty.)<br>Variation Number  | Part Number | Index Number | Description (Qty.)<br>Variation Number            | Part Number |
|--------------|---|-------------|--------------|---|-------------|
| 40           | Oil line (white tracer)<br>(1/8 - 27 N.P.T.F. male coupling,<br>1/2-20 SAE 45° flare female<br>coupling x 23" long)<br>33 | 52 326 09   | 42           | Adapter, remote oil filter<br>(Includes 44)<br>30 | 24 029 02   |
| 41           | O-Ring<br>30,60,68,81   | 24 153 13   | 43           | Bushing, reducing (2)<br>30                       | 25 158 10   |

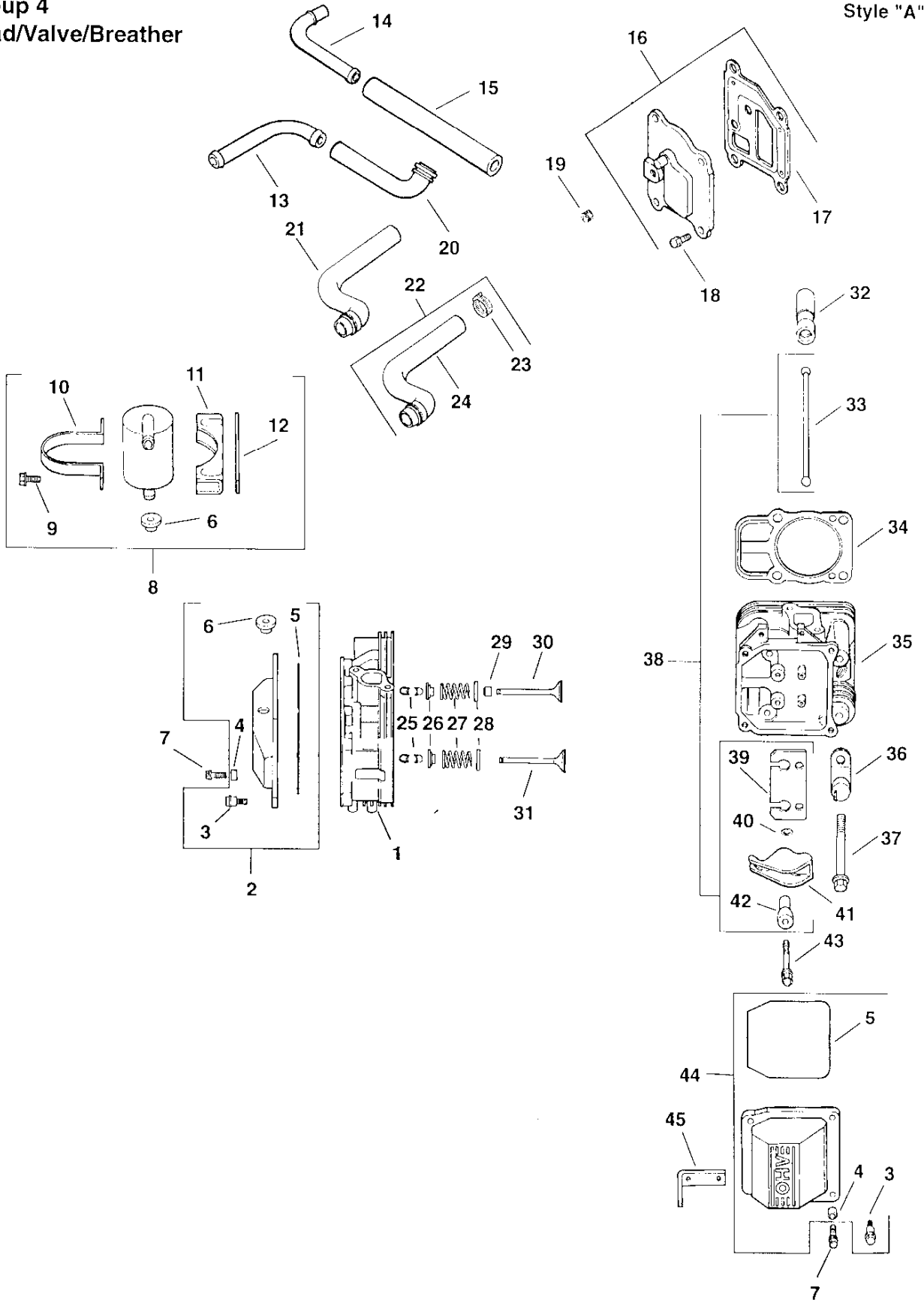


| Index Number | Description (Qty.)<br>Variation Number                 | Part Number | Index Number | Description (Qty.)<br>Variation Number      | Part Number |
|--------------|--|-------------|--------------|---|-------------|
| 44           | Kit, oil pan w/ gasket<br>(Includes 12-18,45)<br>60,68 | 24 755 59   | 47           | Cooler, oil<br>(Includes 34,48)<br>60,68,81 | 24 594 09   |
| 45           | Gasket, oil pan<br>60,68                               | 24 041 24   | 48           | Hose, oil 116 mm (2)<br>60                  | 24 326 15   |
| 46           | Shim, thrust (green)<br>(0.8366 - 0.9127)<br>60,68     | 24 422 03   |              |   |             |

# CV18-25

## Group 4 Head/Valve/Breather

Style "A"





| Index Number   | Description (Qty.)<br>Variation Number  | Part Number | Index Number | Description (Qty.)<br>Variation Number  | Part Number |
|--|---|-------------|--------------|---|-------------|
| The design of the cylinder head assembly has gone through a series of changes. Refer to Style "A" and "B" and order parts accordingly. |   |             | 13           | Fitting<br>15,27,38   | 24 294 06   |
| 1  | Head assembly, #1 cylinder<br>11,12,14,15,28,29,38,400,401,402,<br>403,404,405,406,407,408  | 24 318 11   | 14           | Fitting<br>11,12,25,28,29,401,402,403,405,<br>407,408   | 24 294 01   |
| 1  | Head assembly, #1 cylinder<br>25,27   | 24 318 17   | 14           | Fitting<br>(Use before Serial No. 2523300017)<br>14,400,404,406   | 24 294 02   |
| 2  | Kit, valve cover - breather<br>(Includes 3,4 [qty 4],5,6)<br>11,12,14,15,25,27,28,29,38,400,<br>401,402,403,404,405,406,<br>407,408             | 24 755 76   | 15           | Hose, breather<br>11,12,25,28,29,401,402,403,405,<br>407,408  | 24 326 03   |
| 3  | Screw, hex. cap - shoulder<br>M6x1.0x23 (8)<br>11,12,14,15,25,27,28,29,38,400,<br>401,402,403,404,405,406,<br>407,408                           | 24 086 32   | 16           | Kit, breather cover w/gasket<br>(Includes 17)<br>11,12,14,15,25,27,28,29,38,400,<br>401,402,403,404,405,406,<br>407,408 | 24 033 03   |
| 4  | Spacer (8)<br>28,29,403,405   | 24 112 08   | 17           | Gasket, breather<br>11,12,14,15,25,27,28,29,38,400,<br>401,402,403,404,405,406,<br>407,408                              | 24 041 23   |
| 5  | O-Ring (2)<br>11,12,14,15,25,27,28,29,38,400,<br>401,402,403,404,405,406,<br>407,408  | 24 153 12   | 18           | Screw, hex. flange M6x1.0x20 (4)<br>11,12,14,15,25,27,28,29,38,400,<br>401,402,403,404,405,406,<br>407,408              | M-0645020   |
| 6  | Grommet, rubber<br>11,12,14,15,25,27,28,29,38,400,<br>401,402,403,404,405,406,<br>407,408   | 25 313 02   | 19           | Plug, allen hd. 1/8"<br>11,14,27,28,400,402,403,408   | X-75-23     |
| 7  | Screw, hex. flange M6x1.0x30 (8)<br>28,29,403,405   | M-0651030   | 20           | Hose, breather<br>(Use before Serial No. 2523300017)<br>14,400,404,406  | 24 326 05   |
| 8  | Kit, breather separator<br>(Includes 6,9-12)<br>11,12,14,15,25,27,28,29,38,400,<br>401,402,403,404,405,406,<br>407,408                          | 24 755 57   | 20           | Hose, breather<br>(Use after Serial No. 2523300007)<br>14,400,404,406   | 24 326 13   |
| 9  | Screw, hex. flange M5x0.8x16 (2)<br>(Use Before Serial No. 241390017)<br>11,12,14,15,25,27,28,29,38,400,<br>401,402,403,404,405,406,<br>407,408 | M-0545016   | 20           | Hose, breather<br>15,27,38  | 24 326 13   |
| 9  | Screw, hex. cap 8-18x1/2" (2)<br>(Use After Serial No. 2413900007)<br>11,12,14,15,25,27,28,29,38,400,<br>401,402,403,404,405,406,<br>407,408    | 24 086 27   | 21           | Hose, breather<br>(Use after Serial No. 2523300007)<br>14,400,404,406   | 24 326 14   |
| 10   | Strap, breather<br>11,12,14,15,25,27,28,29,38,400,<br>401,402,403,404,405,406,<br>407,408   | 24 445 02   | 21           | Hose, breather<br>15,27,38  | 24 326 14   |
| 11   | Bracket, breather separator<br>11,12,14,15,25,27,28,29,38,400,<br>401,402,403,404,405,406,<br>407,408   | 24 126 44   | 22           | Kit, breather hose<br>(Includes 23,24)<br>(Use before Serial No. 2523300017)<br>14,400,404,406                          | 24 755 67   |
| 12   | Spacer<br>11,12,14,15,25,27,28,29,38,400,<br>401,402,403,404,405,406,<br>407,408  | 24 112 12   | 23           | Clamp, hose (2)<br>14,15,27,38,400,404,406  | X-426-9     |
| 13   | Fitting<br>(Use after Serial No. 2523300007)<br>14,400,404,406  | 24 294 06   | 24           | Hose, breather<br>(Use before Serial No. 2523300017)<br>15,404,406  | 24 326 08   |
|  |   |             | 25           | Kit, retainer (4)<br>11,12,14,15,25,27,28,29,38,400,<br>401,402,403,404,405,406,<br>407,408                             | 12 755 03   |
|  |   |             | 26           | Cap, valve spring (4)<br>11,12,14,15,25,27,28,29,38,400,<br>401,402,403,404,405,406,<br>407,408                         | 12 173 01   |
|  |   |             | 27           | Spring, valve (4)<br>11,12,14,15,25,27,28,29,38,400,<br>401,402,403,404,405,406,<br>407,408                             | 24 089 02   |

Head/Valve/Breather  
(Cont.)

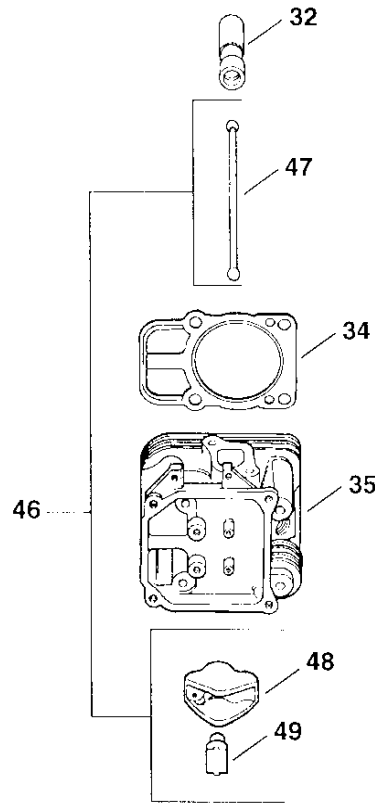
CV18-25

| Index Number | Description (Qty.)<br>Variation Number  | Part Number | Index Number | Description (Qty.)<br>Variation Number  | Part Number |
|--------------|---|-------------|--------------|---|-------------|
| 28           | Retainer, spring (4)<br>11,12,14,15,25,27,28,29,38,400,<br>401,402,403,404,405,406,<br>407,408              | 235011      | 38           | Kit, valve train<br>(Includes 33,39-42)<br>(Use before Serial No. 2424400017;<br>after Serial No. 2424400007 or<br>after installation of kit, individual<br>marked* parts may be ordered<br>for replacement.) |             |
| 29           | Seal, valve stem (2)<br>11,12,14,15,25,27,28,29,38,400,<br>401,402,403,404,405,406,<br>407,408              | 24 032 05   |              | 14,28,29,400,401,402,403,404,405,<br>406,407,408  | 24 755 61   |
| 30           | Valve, intake (Std.) (2)<br>11,12,14,15,25,27,28,29,38,400,<br>401,402,403,404,405,406,<br>407,408          | 24 017 01   | 39           | Plate, guide (2)<br>(Use after Serial No. 2424400007)<br>14,28,29,400,401,402,403,404,405,<br>406,407,408   | 24 146 09*  |
| 30           | Valve, intake (.25) (2)<br>11,12,14,15,25,27,28,29,38,400,<br>401,402,403,404,405,406,<br>407,408           | 24 017 02   | 40           | Washer, plain 6 mm<br>(Use after Serial No. 2424400007, but before<br>Serial No. 2511700017)<br>400,401,402,403,404,405,406,<br>407,408   | M-0631005*  |
| 31           | Valve, exhaust (Std.) (2)<br>11,12,14,15,25,27,28,29,38,400,<br>401,402,403,404,405,406,<br>407,408         | 24 016 01   | 41           | Arm, rocker (4)<br>(Use after Serial No. 2424400007)<br>14,28,29,400,401,402,403,404,405,<br>406,407,408  | 24 186 03*  |
| 31           | Valve, exhaust (.25) (2)<br>11,12,14,15,25,27,28,29,38,400,<br>401,402,403,404,405,406,<br>407,408          | 24 016 02   | 42           | Pivot, rocker arm (4)<br>14,28,29   | 24 194 03   |
| 32           | Lifter, valve (4)<br>11,12,14,15,25,27,28,29,38,400,<br>401,402,403,404,405,406,<br>407,408                 | 12 351 01   | 42           | Pivot, rocker arm (4)<br>(Use after Serial No. 2424400007,<br>but before Serial No. 2511700017)<br>400,401,402,403,404,405  | 24 194 02*  |
| 33           | Rod, push (4)<br>14,28,29,406,407,408   | 24 411 04   | 42           | Pivot, rocker arm (4)<br>(Use before Serial No. 2511700017)<br>406,407,408  | 24 194 02*  |
| 33           | Rod, push (4)<br>(Use after Serial No. 2424400007)<br>400,401,402,403,404,405                               | 24 411 04*  | 42           | Pivot, rocker arm (4)<br>(Use after Serial No. 2511700007)<br>400,401,402,403,404,405,406,<br>407,408   | 24 194 03   |
| 34           | Gasket, cylinder head (2)<br>11,12,14,15,28,29,38,400,401,402,<br>403,404,405,406,407,408                   | 24 041 08   | 43           | Screw, hex. flange M6x1.0x34 (4)<br>11,12,14,15,25,27,28,29,38,400,<br>401,402,403,404,405,406,<br>407,408  | M-0640034   |
| 34           | Gasket, cylinder head (2)<br>25,27  | 24 041 16   | 44           | Kit, valve cover - plain<br>(Includes 3,4 {qty. 4},5,6)<br>11,12,14,15,25,27,28,29,38,400,<br>401,402,403,404,405,406,<br>407,408   | 24 755 74   |
| 35           | Head assembly, #2 cylinder<br>11,12,14,15,28,29,38,400,401,402,<br>403,404,405,406,407,408                  | 24 318 12   | 45           | Strap, lifting<br>11,12,14,15,25,27,28,29,38,400,<br>401,402,403,404,405,406,<br>407,408  | 24 445 01   |
| 35           | Head assembly, #2 cylinder<br>25,27   | 24 318 18   |              |   |             |
| 36           | Kit, high temperature cutout<br>(Includes terminal 25 452 01, lead 24 518 11)<br>38                         | 24 703 01   |              |   |             |
| 37           | Screw, hex. flange M10x1.5x91 (8)<br>11,12,14,15,25,27,28,29,38,400,<br>401,402,403,404,405,406,<br>407,408 | 12 086 16   |              |   |             |

# CV18-25

Style "B"

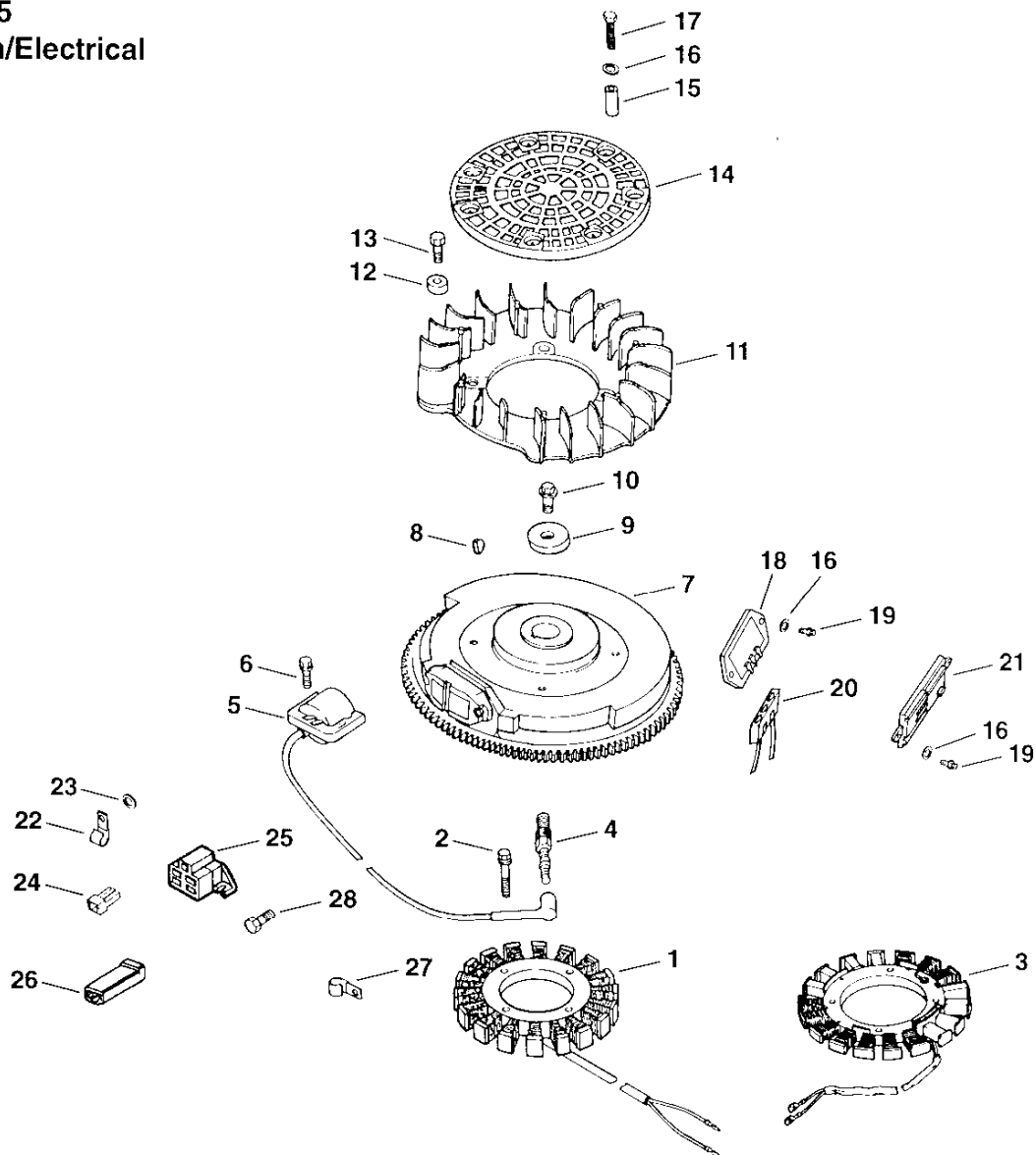
Head/Valve/Breather  
(Cont.)



| Index Number | Description (Qty.)<br>Variation Number   | Part Number       | Index Number           | Description (Qty.)<br>Variation Number  | Part Number      |
|--------------|--|-------------------|------------------------|---|------------------|
| 46           | <b>Kit, valve train</b><br>(Includes 47-49)<br>(Use before Serial No. 2520800017;<br>after Serial No. 2520800007 or after<br>installation of kit, individual marked*<br>components may be ordered.)<br>11,12,15,25,27,38,400,401,402,403,<br>404,405,406,407,408 | <b>24 755 66</b>  | <b>Not Illustrated</b> |   |                  |
|              |  |                   |                        | <b>Lead, black</b><br>(16 gauge, 43", 2 uninsulated<br>push on tab terminals)<br>38 | <b>24 518 11</b> |
|              |  |                   |                        | <b>Terminal</b><br>38   | <b>25 452 01</b> |
| 47           | <b>Rod, push</b><br>11,12,15,25,27,38,400,401,402,403,<br>404,405,406,407,408  | <b>24 411 05*</b> |                        |   |                  |
| 48           | <b>Arm, rocker</b><br>11,12,15,25,27,38,400,401,402,403,<br>404,405,406,407,408  | <b>25 186 01*</b> |                        |   |                  |
| 49           | <b>Pivot, cylindrical rocker arm</b><br>11,12,15,25,27,38,400,401,402,403,<br>404,405,406,407,408  | <b>24 599 01*</b> |                        |   |                  |

# CV18-25

## Group 5 Ignition/Electrical



| Index Number | Description (Qty.)<br>Variation Number  | Part Number | Index Number | Description (Qty.)<br>Variation Number   | Part Number |
|--------------|---|-------------|--------------|--|-------------|
| 1            | <b>Stator (15 amp)</b><br>35,52,59,71,74,75,76,77,91,132,<br>135,138,140,142,153,159,161,<br>169,176,179,186,192,194,197,<br>202,204,205,206,217,219,400,<br>401,402,403,404                  | 24 085 01   | 4            | <b>Spark plug (2)</b><br>35,52,59,71,74,75,76,77,91,96,132,<br>135,138,140,142,153,159,161,169,<br>176,179,186,192,194,197,202,204,<br>205,206,217,219,400,401,402,403,<br>404 | 12 132 02   |
| 2            | <b>Screw, hex. cap M5x0.8x25 (2)</b><br>35,52,59,71,74,75,76,77,91,96,132,<br>135,138,140,142,153,159,161,169,<br>176,179,186,192,194,197,202,204,<br>205,206,217,219,400,401,402,<br>403,404 | M-0548025   | 5            | <b>Module, ignition (2)</b><br>35,52,71,76,77,159,169,186,192,<br>197,202,204,217,400,401,402,<br>403,404  | 24 584 01   |
| 3            | <b>Stator (3 amp)</b><br>96   | 24 085 02   | 6            | <b>Screw, hex. flange M5x0.8x20 (4)</b><br>35,52,71,76,77,159,169,186,192,<br>197,202,204,217,400,401,402,<br>403,404  | M-0545020   |

| Index Number | Description (Qty.)<br>Variation Number  | Part Number | Index Number | Description (Qty.)<br>Variation Number   | Part Number |
|--------------|---|-------------|--------------|--|-------------|
| 7            | <b>Flywheel</b><br>35,52,71,76,77,142,159,169,186,<br>192,197,202,204,217,400,401,402,<br>403,404   | 24 025 04   | 11           | <b>Fan</b><br>401<br>Before Serial No. 2433300017 use: 24 157 01<br>After Serial No. 2433300007 use: 24 157 03 |             |
| 7            | <b>Flywheel</b><br>59,75,91,132,138,140,153,176,<br>194,205,219   | 24 025 05   | 12           | <b>Spacer, fan (4)</b><br>71,74,77,91,96,140,153,161,<br>169,179,202,205,206,219,400,<br>401,402,403,404       | 12 112 01   |
| 7            | <b>Flywheel</b><br>74   | 24 025 03   | 13           | <b>Screw, hex. flange M6x1.0x16 (4)</b><br>(Use after Serial No. 2417500007)<br>71,74,153,403                  | M-0639016   |
| 7            | <b>Flywheel</b><br>96   | 24 025 07   | 13           | <b>Screw, hex. flange M6x1.0x16 (4)</b><br>77,91,96,140,161,169,179,202,<br>206,219                            | M-0639016   |
| 7            | <b>Flywheel</b><br>135,141,161,179,206  | 24 025 08   | 13           | <b>Screw, hex. flange M6x1.0x16 (4)</b><br>(Use after Serial No. 2519900007)<br>205,404                        | M-0639016   |
| 8            | <b>Key</b><br>35,52,59,71,74,75,76,77,91,96,132,<br>135,138,140,142,153,159,161,169,<br>176,179,186,192,194,197,202,204,<br>205,206,217,219,400,401,402,<br>403,404                       | X-42-15     | 13           | <b>Screw, hex. flange M6x1.0x16 (4)</b><br>(Use after Serial No. 2320400007)<br>400,402                        | M-0639016   |
| 9            | <b>Washer, plain 3/8"</b><br>35,52,59,71,74,75,76,77,91,96,132,<br>135,138,140,142,153,159,161,169,<br>176,179,186,192,194,197,202,204,<br>205,206,217,219,400,401,402,403,<br>404        | 12 468 03   | 13           | <b>Screw, hex. flange M6x1.0x16 (4)</b><br>(Use after Serial No. 2433300007)<br>401                            | M-0639016   |
| 10           | <b>Screw, hex. flange M10x1.5x76</b><br>35,52,59,71,74,75,76,77,91,96,<br>132,135,138,140,141,142,153,<br>159,161,169,176,179,186,192,<br>194,202,205,206,217,219,400,<br>401,402,403,404 | 12 086 14   | 14           | <b>Screen, grass</b><br>77,91,96,140,161,169,179,202,206,<br>219   | 24 162 17   |
| 10           | <b>Screw, hex. flange M10x1.5x85</b><br>197,204   | 24 086 36   | 14           | <b>Screen, grass</b><br>(Use after Serial No. 2417500007)<br>71,74,153,403                                     | 24 162 17   |
| 11           | <b>Fan</b><br>35,52,75,138,142,153,176,186,192,<br>194,217  | 24 157 01   | 14           | <b>Screen, grass</b><br>(Use after Serial No. 2320400007)<br>400,402   | 24 162 17   |
| 11           | <b>Fan</b><br>59,76,77,91,96,132,135,140,<br>159,161,169,179,197,202,204,<br>206,219  | 24 157 03   | 14           | <b>Screen, grass</b><br>(Use after Serial No. 2433300007)<br>401   | 24 162 17   |
| 11           | <b>Fan</b><br>71,74,153,403<br>Before Serial No. 2417500017 use: 24 157 01<br>After Serial No. 2417500007 use: 24 157 03  |             | 14           | <b>Screen, grass</b><br>(Use after Serial No. 2519900007)<br>205,404   | 24 162 17   |
| 11           | <b>Fan</b><br>205,404<br>Before Serial No. 2519900017 use: 24 157 01<br>After Serial No. 2519900007 use: 24 157 03  |             | 15           | <b>Spacer, fan (4)</b><br>(Use after Serial No. 2417500007)<br>71,74,153,403                                   | 24 112 04   |
| 11           | <b>Fan</b><br>400,402<br>Before Serial No. 2320400017 use: 24 157 01<br>After Serial No. 2320400007 use: 24 157 03  |             | 15           | <b>Spacer, fan (4)</b><br>(Use after Serial No. 2320400007)<br>400,402   | 24 112 04   |
|              |   |             | 15           | <b>Spacer, fan (4)</b><br>(Use after Serial No. 2433300007)<br>401   | 24 112 04   |
|              |   |             | 15           | <b>Spacer, fan</b><br>(Use after Serial No. 2519900007)<br>205,404   | 24 112 04   |

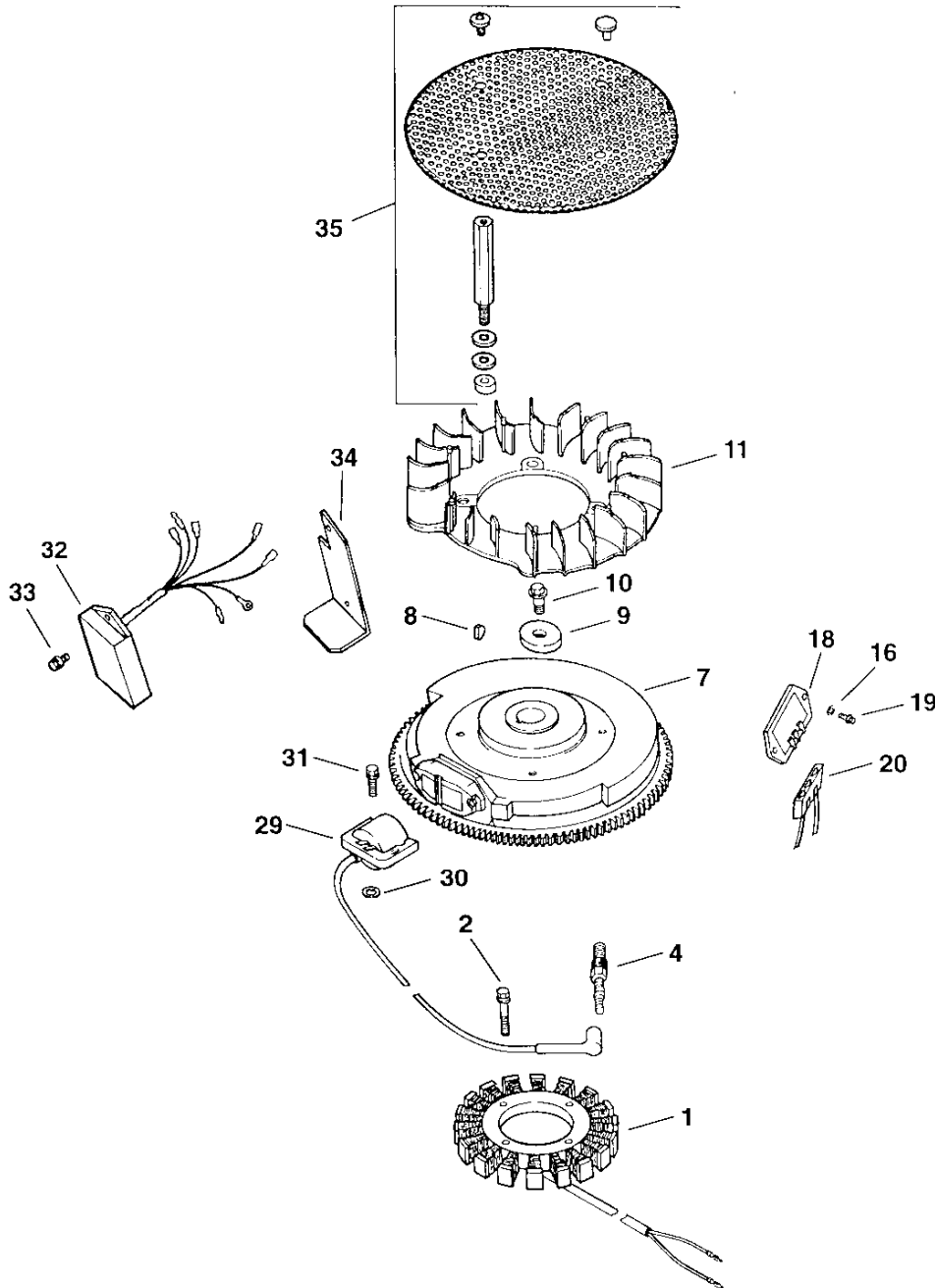
**Ignition/Electrical  
(Cont.)**

**CV18-25**

| Index Number | Description (Qty.)<br>Variation Number  | Part Number | Index Number | Description (Qty.)<br>Variation Number   | Part Number |
|--------------|---|-------------|--------------|--|-------------|
| 16           | Washer, plain 1/2" (2)<br>35,52,59,75,76,132,138,142,159,<br>161,169,176,192,194,197,206,<br>217  | X-25-92     | 18           | Rectifier-regulator<br>204   | 12 403 01   |
| 16           | Washer, plain 1/2"<br>(Before Serial No. 2417500017<br>use qty. 2, after Serial No. 2417500007<br>use qty. 6)<br>71,74,153,403  | X-25-92     | 19           | Screw, hex. flange M10x1.5x61 (2)<br>35,52,59,71,74,75,76,77,96,91,132,<br>135,138,140,142,153,159,161,169,<br>176,179,186,192,194,197,202,204,<br>205,206,217,219,400,401,402,403,<br>404 | 24 086 18   |
| 16           | Washer, plain 1/2" (6)<br>77,91,96,140,161,169,179,186,<br>202,219  | X-25-92     | 20           | Connector (3 contact)<br>35,52,59,71,74,75,76,77,91,132,<br>135,138,140,142,153,159,161,169,<br>176,179,186,192,194,197,202,204,<br>205,206,217,219,400,401,402,403,<br>404                | 236602      |
| 16           | Washer, plain 1/2"<br>(Before Serial No. 2320400017<br>use qty. 2, after Serial No. 2320400007<br>use qty. 6)<br>400,402  | X-25-92     | 21           | Cover, regulator<br>96   | 25 096 04   |
| 16           | Washer, plain 1/2"<br>(Before Serial No. 2433300017<br>use qty. 2, after Serial No. 2433300017<br>use qty. 6)<br>401  | X-25-92     | 22           | Clip<br>35,52,59,71,74,75,76,77,91,132,<br>138,140,142,153,159,161,169,<br>176,179,186,192,194,197,202,<br>204,205,206,217,219,400,401,<br>402,403,404                                     | 48 154 02   |
| 16           | Washer, plain 1/2"<br>(Before Serial No. 2519900017<br>use qty. 2, after Serial No. 2519900007<br>use qty. 6)<br>205,404  | X-25-92     | 23           | Washer, plain 1/4" (2)<br>35,52,59,71,74,75,76,77,91,132,<br>135,138,140,153,159,161,169,<br>176,179,186,192,194,197,202,<br>204,205,206,217,219,400,401,<br>402,403,404                   | X-25-63     |
| 17           | Screw, hex. cap M4x0.7x25 (4)<br>(Use after Serial No. 2417500007)<br>71,74,153,403   | M-0403025   | 24           | Connector<br>35,74,192,161,403,404   | 15 155 01   |
| 17           | Screw, hex. cap M4x0.7x25 (4)<br>77,91,96,140,161,169,179,202,<br>206,219   | M-0403025   | 24           | Connector (2)<br>135,205,206   | 15 155 01   |
| 17           | Screw, hex. cap M4x0.7x25 (4)<br>(Use after Serial No. 2320400007)<br>400,402   | M-0403025   | 25           | Connector<br>35,71,74,135,161,192,205,206,217,<br>403,404  | 25 155 06   |
| 17           | Screw, hex. cap M4x0.7x25 (4)<br>(Use after Serial No. 2433300007)<br>401   | M-0403025   | 26           | Connector<br>35,71,74,192,403,404  | 277563      |
| 17           | Screw, hex. cap M4x0.7x25 (4)<br>(Use after Serial No. 2519900007)<br>205,404   | M-0403025   | 26           | Connector (2)<br>161,135,205,206   | 277563      |
| 18           | Rectifier-regulator<br>35,52,59,71,74,75,76,77,91,132,<br>135,138,140,142,153,159,161,<br>169,176,179,186,192,194,197,<br>202,205,206,217,219,400,401,<br>402,403,404 | 25 403 03   | 27           | Clip, cable<br>35,52,71,76,77,159,169,186,192,<br>197,202,204,217,400,401,402,403,<br>404  | 235173      |
|              |   |             | 27           | Clip<br>59,74,91,132,135,138,140,<br>153,161,176,179,194,205,<br>206,219   | 47 154 01   |
|              |   |             | 28           | Screw, sems hex. cap 10-16x1/2" (2)<br>159   | X-67-3      |

# CV18-25

## Ignition/Electrical (Cont.)

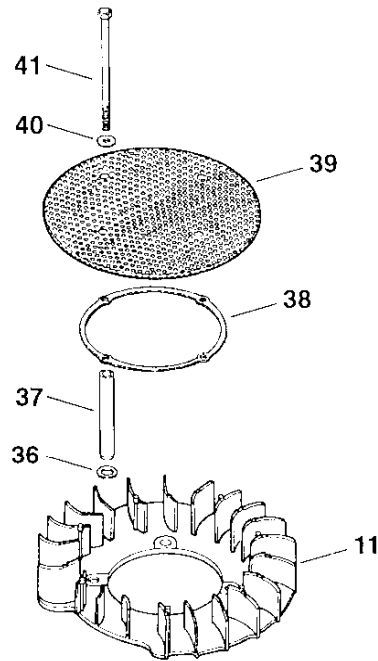


| Index Number | Description (Qty.)<br>Variation Number  | Part Number | Index Number  | Description (Qty.)<br>Variation Number   | Part Number |
|--------------|---|-------------|---|--|-------------|
| 29           | Module, ignition (2)<br>59,74,75,91,132,135,138,140,153,<br>161,176,179,194,205,206,219                 | 24 584 03   | 32  | Module, speed advance<br>59,74,75,91,132,135,138,140,153,<br>161,176,179,194,205,206,219 | 24 584 05*  |
| 30           | Washer, graphite 5 mm (4)<br>59,74,75,91,132,135,138,140,153,<br>161,176,179,194,205,206,219            | 24 468 12   | <p><b>*NOTE:</b> When replacing module 24 584 04 (identified by date code 2104 or lower) with 24 584 05 (identified by date code 2274 or higher), wiring adapter kit 24 755 56 may be required. Refer to Parts Bulletin 183 for more information.</p> |  |             |
| 31           | Screw, hex. socket hd. M5x0.8x25 (4)<br>59,74,75,91,132,135,138,140,153,<br>161,176,179,194,205,206,219 | M-0560025   |   |  |             |

| Index Number | Description (Qty.)<br>Variation Number   | Part Number      | Index Number | Description (Qty.)<br>Variation Number   | Part Number |
|--------------|--|------------------|--------------|--|-------------|
| 33           | <b>Screw, hex. cap M4x0.7x10 (2)</b><br>59,74,75,91,132,135,138,140,153,<br>161,176,179,194,205,206,219  | <b>M-0448010</b> | 35           | <b>Screen, metal chopper grass</b><br>(Old style, individual components<br>are no longer available) (Replaced<br>by 24 755 79 [Index Nos. 36-41])<br>(Use before Serial No. 2519900017)<br>205,404 |             |
| 34           | <b>Baffle, heat shield</b><br>91,179,219   | <b>24 063 27</b> | 35           | <b>Screen, metal chopper grass</b><br>(Old style, individual components<br>are no longer available) (Replaced<br>by 24 755 79 [Index Nos. 36-41])<br>(Use before Serial No. 2320400017)<br>400,402 |             |
| 35           | <b>Screen, metal chopper grass</b><br>(Old style, individual components<br>are no longer available) (Replaced<br>by 24 755 79 [Index Nos. 36-41])<br>35,52,59,75,76,132,138,142,159<br>176,186,192,194,197,204,217 |                  | 35           | <b>Screen, metal chopper grass</b><br>(Old style, individual components<br>are no longer available) (Replaced<br>by 24 755 79 [Index Nos. 36-41])<br>(Use before Serial No. 2433300017)<br>401     |             |
| 35           | <b>Screen, metal chopper grass</b><br>(Old style, individual components<br>are no longer available) (Replaced<br>by 24 755 79 [Index Nos. 36-41])<br>(Use before Serial Number 2417500017)<br>71,74,403            |                  |              |  |             |



Ignition/Electrical  
(Cont.)



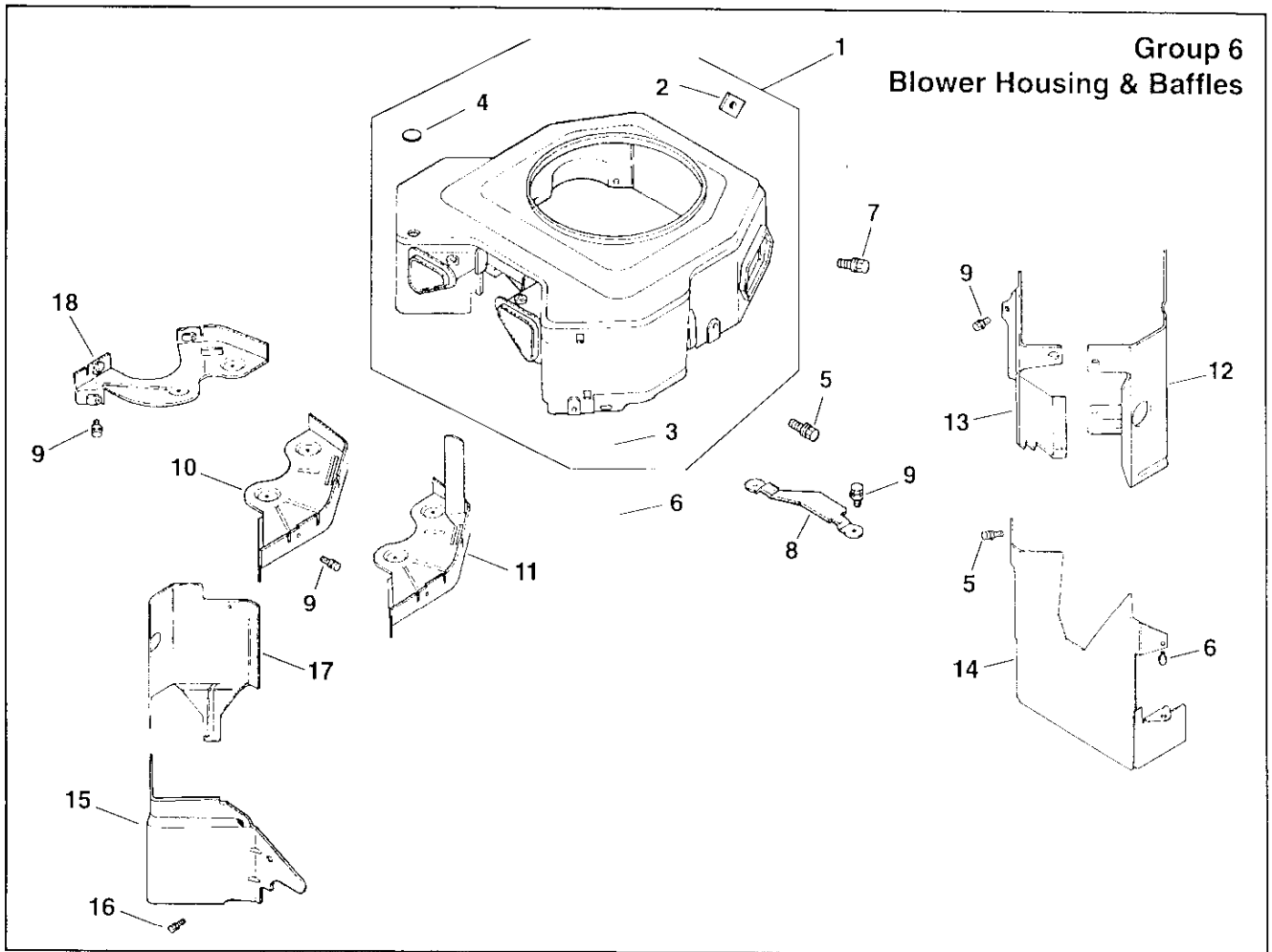
| Index Number | Description (Qty.)<br>Variation Number  | Part Number | Index Number | Description (Qty.)<br>Variation Number  | Part Number |
|--------------|---|-------------|--------------|---|-------------|
| 36           | Washer, spring 10 mm (4)<br>(Use after Serial No. 2529000007)<br>35,52,59,75,76,132,138,142,159,<br>176,186,192,194,197,204,217 | 24 468 11   | 39           | Screen, grass<br>(Use after Serial No. 2529000007)<br>35,52,59,75,76,132,138,142,159,<br>176,186,192,194,197,204,217                  | 24 162 20   |
| 36           | Washer, spring 10 mm (4)<br>135   | 24 468 11   | 39           | Screen, grass<br>135  | 24 162 20   |
| 37           | Spacer, grass screen (4)<br>(Use after Serial No. 2529000007)<br>35,52,59,75,76,132,138,142,159,<br>176,186,192,194,197,204,217 | 24 112 14   | 40           | Washer, plain (4)<br>(Use after Serial No. 2529000007)<br>35,52,59,75,76,132,138,142,159,<br>176,186,192,194,197,204,217              | X-25-53     |
| 37           | Spacer, grass screen (4)<br>135   | 24 112 14   | 40           | Washer, plain (4)<br>135  | X-25-53     |
| 38           | Ring, support<br>(Use after Serial No. 2529000007)<br>35,52,59,75,76,132,138,142,159,<br>176,186,192,194,197,204,217            | 24 141 06   | 41           | Screw, hex. cap M6x1.0x100 (4)<br>(Use after Serial No. 2529000007)<br>35,52,59,75,76,132,138,142,159,<br>176,186,192,194,197,204,217 | M-0603100   |
| 38           | Ring, support<br>135  | 24 141 06   | 41           | Screw, hex. cap M6x1.0x100 (4)<br>135   | M-0603100   |

\*NOTE: For decals, see Accessories Catalog E-1953-A.

| Index Number           | Description (Qty.)<br>Variation Number | Part Number | Index Number | Description (Qty.)<br>Variation Number  | Part Number |
|------------------------|--|-------------|--------------|---|-------------|
| <b>NOT ILLUSTRATED</b> |  |             |              | <b>Harness, wiring</b>                  |             |
|                        | 35,71,192,403,404                      | 24 176 21   |              | 169,186                                 | 24 176 12   |
|                        | <b>Harness, wiring</b>                 |             |              | <b>Harness, wiring</b>                  |             |
|                        | 52,77,142,197,202,204,400,401,<br>402  | 24 176 40   |              | 176                                     | 24 176 44   |
|                        | <b>Harness, wiring</b>                 |             |              | <b>Harness, wiring</b>                  |             |
|                        | 59,138,153                             | 24 176 16   |              | 194                                     | 24 176 46   |
|                        | <b>Kit, wiring harness</b>             |             |              | <b>Lead, black</b>                      |             |
|                        | (Includes 24 176 30,24 176 39)         |             |              | (6" - 14 gauge - terminals:             |             |
|                        | 74,135,161,205,206                     | 24 755 87   |              | 1 uninsulated push on tab,              |             |
|                        | <b>Harness, wiring</b>                 |             |              | 1 insulated grip barrel eyelets)        |             |
|                        | (For information only                  |             |              | 35,135,192,205,206,403,404              | 24 518 06   |
|                        | not available separately)              |             |              | <b>Lead, green, rectifier-regulator</b> |             |
|                        | 74,161,135,205,206                     | 24 176 30   |              | (3" - 18 gauge - terminals: 2 insulated |             |
|                        | <b>Harness, wiring</b>                 |             |              | grip barrel eyelets)                    |             |
|                        | 74,132,135,161,194,205,206             | 24 176 39   |              | (To be replaced by 25 518 28)           |             |
|                        | <b>Harness, wiring</b>                 |             |              | 35,52,59,71,74,75,77,91,132,138,        |             |
|                        | 75,91,179,219                          | 24 176 27   |              | 140,142,153,159,169,176,186,192,        |             |
|                        | <b>Harness, wiring</b>                 |             |              | 194,205,400,401,402,403,404             | 24 518 04   |
|                        | 76                                     | 24 176 07   |              | <b>Lead, black</b>                      |             |
|                        | <b>Harness, wiring</b>                 |             |              | (4" - 18 gauge - terminals:             |             |
|                        | 96                                     | 24 176 29   |              | 2 insulated grip barrel eyelets)        |             |
|                        | <b>Harness, wiring</b>                 |             |              | 135,161,179,197,202,204,206,217,        |             |
|                        | 140                                    | 24 176 42   |              | 219                                     | 25 518 28   |
|                        | <b>Harness, wiring</b>                 |             |              | <b>Lead, black</b>                      |             |
|                        | 159                                    | 24 176 08   |              | (43" - 16 gauge - terminals:            |             |
|                        |  |             |              | 2 uninsulated push on tabs)             |             |
|                        |  |             |              | 202                                     | 24 518 11   |

# CV18-25

## Group 6 Blower Housing & Baffles



| Index Number | Description (Qty.)<br>Variation Number  | Part Number | Index Number | Description (Qty.)<br>Variation Number   | Part Number |
|--------------|---|-------------|--------------|--|-------------|
| 1            | Housing, blower<br>(Includes 2-4)<br>11,47  | 24 027 20   | 2            | Nut, plastic (3)<br>9,11,14,27,47,52,81,83,85,93,106,<br>113,116,118,120,400,401,402,<br>403,404,405,406,407                     | 24 100 01   |
| 1            | Housing, blower<br>(Includes 2-4)<br>93,120   | 24 027 32   | 2            | Nut, plastic (5)<br>102  | 24 100 01   |
| 1            | Housing, blower<br>(Includes 2-4)<br>(Use after Serial No. 2417500007)<br>400,401,403,406 | 24 027 20   | 3            | Nut, plastic (2)<br>9,11,14,27,47,52,81,83,85,93,102,<br>106,113,116,118,120,400,401,402,<br>403,404,405,406,407                 | 24 100 02   |
| 1            | Housing, blower<br>(Includes 2-4)<br>(Use after Serial No. 2320400007)<br>402,404         | 24 027 20   | 4            | Plug, button 9/16"<br>9,11,14,27,47,52,81,83,85,93,102,<br>106,113,116,118,120,400,401,402,<br>403,404,405,406,407               | 25 139 16   |
| 1            | Housing, blower<br>(Includes 2-4)<br>(Use after Serial No. 2519900007)<br>405             | 24 027 20   | 5            | Screw, hex. flange M5x0.8x16 (5)<br>9,11,14,27,47,52,81,85,106,116,<br>118,400,401,402,403,404,405,<br>406,407                   | M-0545016   |
| 1            | Housing, blower<br>(Includes 2-4)<br>(Use after Serial No. 2433300007)<br>407             | 24 027 20   | 5            | Screw, hex. flange M5x0.8x16 (4)<br>83,93,102,113,120  | M-0545016   |
|              |   |             | 6            | Screw, hex. flange M5x0.8x20 (2)<br>9,11,14,27,47,52,81,83,85,93,102,<br>106,113,116,118,120,400,401,402,<br>403,404,405,406,407 | M-0545020   |

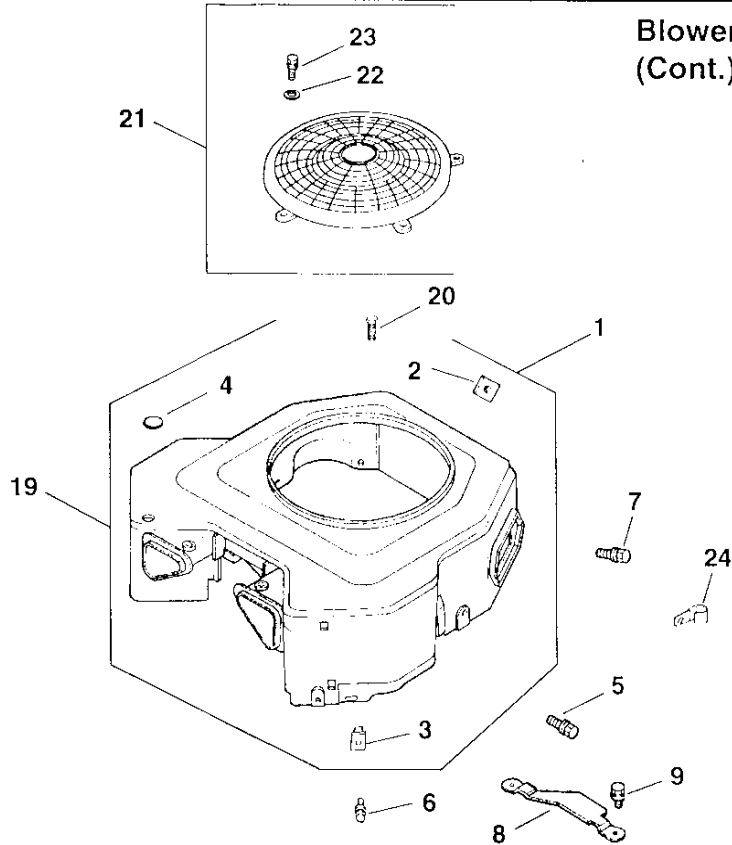
**Blower Housing & Baffles  
(Cont.)**

**CV18-25**

| Index Number | Description (Qty.)<br>Variation Number  | Part Number | Index Number | Description (Qty.)<br>Variation Number   | Part Number |
|--------------|---|-------------|--------------|--|-------------|
| 7            | <b>Screw, hex. flange M5x0.8x16</b><br>9,11,14,27,47,52,81,83,85,93,102,<br>106,113,116,118,120,400,401,402,<br>403,404,405,406,407     | M-0551016   | 13           | <b>Baffle, valley - #1 side</b><br>11,47,79,93,400,402,403,407   | 24 063 23   |
| 8            | <b>Guard, flywheel</b><br>9,11,14,27,47,52,81,83,85,93,102,<br>106,113,116,118,120,400,401,402,<br>403,404,405,406,407                  | 24 314 05   | 13           | <b>Baffle, valley - #1 side</b><br>52  | 24 063 24   |
| 9            | <b>Screw, hex. flange M6x1.0x16 (6)</b><br>9,11,14,27,47,52,81,83,85,93,102,<br>106,113,116,118,120,400,401,402,<br>403,404,405,406,407 | M-0645016   | 14           | <b>Baffle, valley</b><br>9,14,27,81,83,85,102,106,113,116,<br>118,120,401,404,405,406  | 24 063 29   |
| 10           | <b>Plate, backing - #2 side</b><br>9,11,14,85,116,118,400,401,402,<br>404,407   | 24 146 02   | 15           | <b>Baffle, valley - #2 side</b><br>11,47,93,400,402,403,404,407  | 24 063 14   |
| 10           | <b>Plate, backing - #2 side</b><br>83,93,102,113,120  | 24 146 11   | 15           | <b>Baffle, valley - #2 side</b><br>52  | 24 063 17   |
| 11           | <b>Plate, backing - #2 side</b><br>27,47,52,81,106,403,405,406  | 24 146 07   | 16           | <b>Screw, hex. flange M5x0.8x10 (2)</b><br>9,11,14,27,47,52,79,81,83,85,93,<br>102,106,113,116,118,120,400,401,<br>402,403,404,405,406,407 | M-0545010   |
| 12           | <b>Baffle, cylinder barrel - #2 side</b><br>9,11,14,27,47,52,81,85,106,116,<br>118,400,401,402,403,404,405,406,<br>407                  | 24 063 20   | 17           | <b>Baffle, cylinder barrel - #1 side</b><br>9,11,14,27,47,52,81,83,85,106,113,<br>116,118,400,401,402,403,404,405,<br>406,407              | 24 063 30   |
| 12           | <b>Baffle, cylinder barrel - #2 side</b><br>83,93,102,113,120   | 24 063 28   | 17           | <b>Baffle, cylinder barrel - #1 side</b><br>93,102,120   | 24 063 31   |
|              |   |             | 18           | <b>Plate, backing - #1 side</b><br>9,11,14,27,47,52,81,83,85,93,102,<br>106,113,116,118,120,400,401,402,<br>403,404,405,406,407            | 24 146 08   |

# CV18-25

## Blower Housing & Baffles (Cont.)

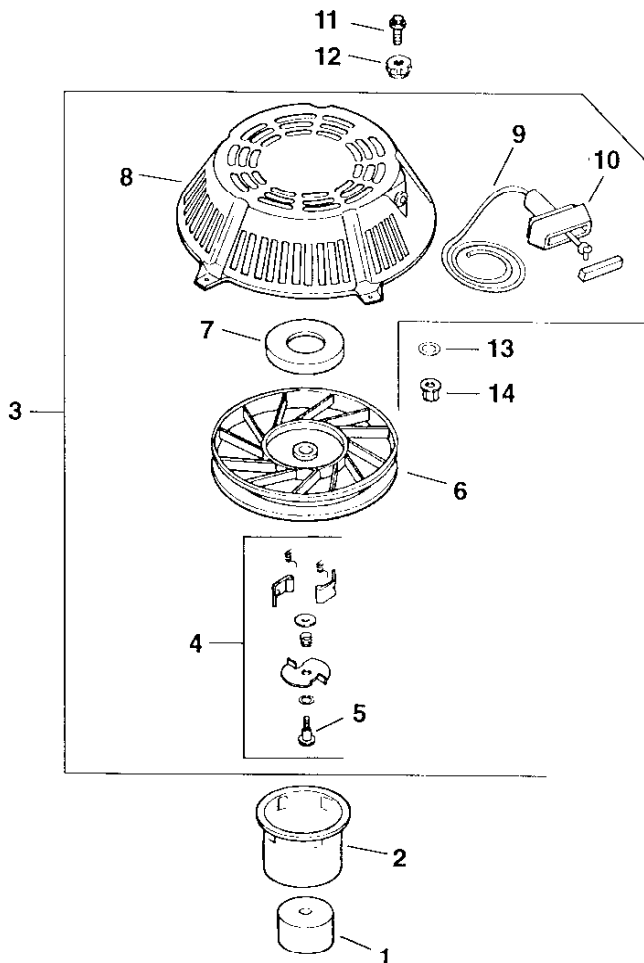


| Index Number | Description (Qty.)<br>Variation Number   | Part Number | Index Number | Description (Qty.)<br>Variation Number  | Part Number |
|--------------|--|-------------|--------------|---|-------------|
| 19           | <b>Housing, blower</b><br>(Includes 2-4,20)<br>9,14,27,52,79,81,106,116                              | 24 027 21   | 19           | <b>Housing, blower</b><br>(Includes 2-4,20)<br>(Use before Serial No. 2433300017)<br>407      | 24 027 21   |
| 19           | <b>Housing, blower</b><br>(Includes 2-4,20)<br>83,102,113  | 24 027 33   | 20           | <b>Screw, hex. socket hd. 10-24x1/4"</b><br>9,14,27,52,81,83,102,106,113,116,<br>407          | 25 086 43   |
| 19           | <b>Housing, blower</b><br>(Includes 2-4,20)<br>85  | 24 027 44   | 20           | <b>Screw, hex. socket hd. 10-24x1/4"</b><br>(Use before Serial No. 2417500017)<br>400,401,403 | 25 086 43   |
| 19           | <b>Housing, blower</b><br>(Includes 2-4,20)<br>118   |             | 20           | <b>Screw, hex. socket hd. 10-24x1/4"</b><br>(Use before Serial No. 2320400017)<br>402,404     | 25 086 43   |
|              | Before Serial No. 2518800017 use:  | 24 027 21   | 21           | <b>Kit, fixed guard</b><br>(Includes 22,23)<br>(Use after Serial No. 2518800007)<br>118       | 24 755 81   |
| 19           | <b>Housing, blower</b><br>(Includes 2-4,20)<br>(Use before Serial No. 2417500017)<br>400,401,403,406 | 24 027 21   | 22           | <b>Washer, plain 7/32" (5)</b><br>(Use after Serial No. 2518800007)<br>118                    | 24 468 10   |
| 19           | <b>Housing, blower</b><br>(Includes 2-4,20)<br>(Use before Serial No. 2320400017)<br>402,404         | 24 027 21   | 23           | <b>Screw, pan hd. M5x0.8x10 (5)</b><br>(Use after Serial No. 2518800007)<br>118               | 24 086 35   |
| 19           | <b>Housing, blower</b><br>(Includes 2-4,20)<br>(Use before Serial No. 2519900017)<br>405             | 24 027 21   | 24           | <b>Clip</b><br>106  | 47 154 01   |

NOTE: For decals, see Accessories Catalog E-1953-A.

# CV18-25

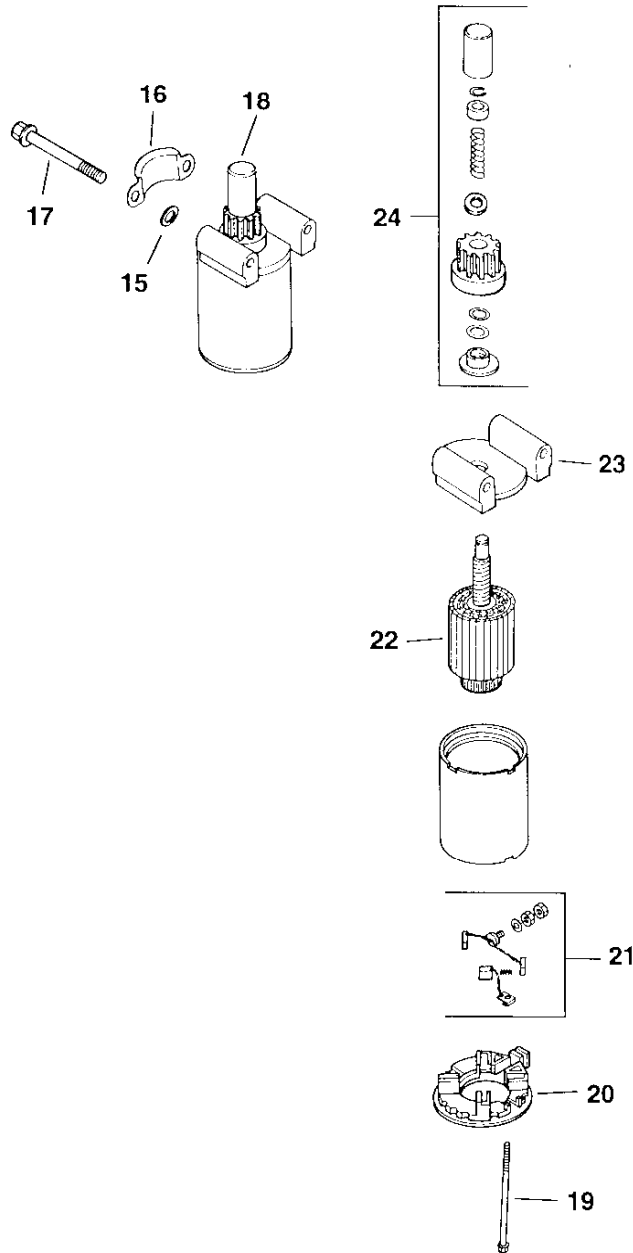
## Group 7 Starting System



| Index Number | Description (Qty.)<br>Variation Number                   | Part Number | Index Number | Description (Qty.)<br>Variation Number | Part Number |
|--------------|--|-------------|--------------|--|-------------|
| 1            | Spacer, drive cup<br>9,10                                | 24 112 15   | 8            | Housing, starter                       | 24 081 09   |
| 2            | Cup, drive<br>9,10                                       | 15 109 01   | 9            | Rope, starter                          | 12 160 01   |
| 3            | Starter, retractable assembly<br>(Includes 4-10)<br>9,10 | 24 165 01   | 10           | Handle, recoil start                   | 234452      |
| 4            | Kit, dog repair<br>(Includes 5)                          | 12 757 06   | 11           | Screw, hex. cap 1/4-20x1" (5)          | 24 086 15   |
| 5            | Screw, pozidriv  | 41 086 09   | 12           | Nut, knurl 1/4-20 (5)                  | 24 100 08   |
| 6            | Pulley   | 12 093 01   | 13           | Washer, plain 1/4" (5)                 | X-25-53     |
| 7            | Spring & keeper  | 12 089 06   | 14           | Nut, hex. 1/4-20 (5)                   | X-81-1      |

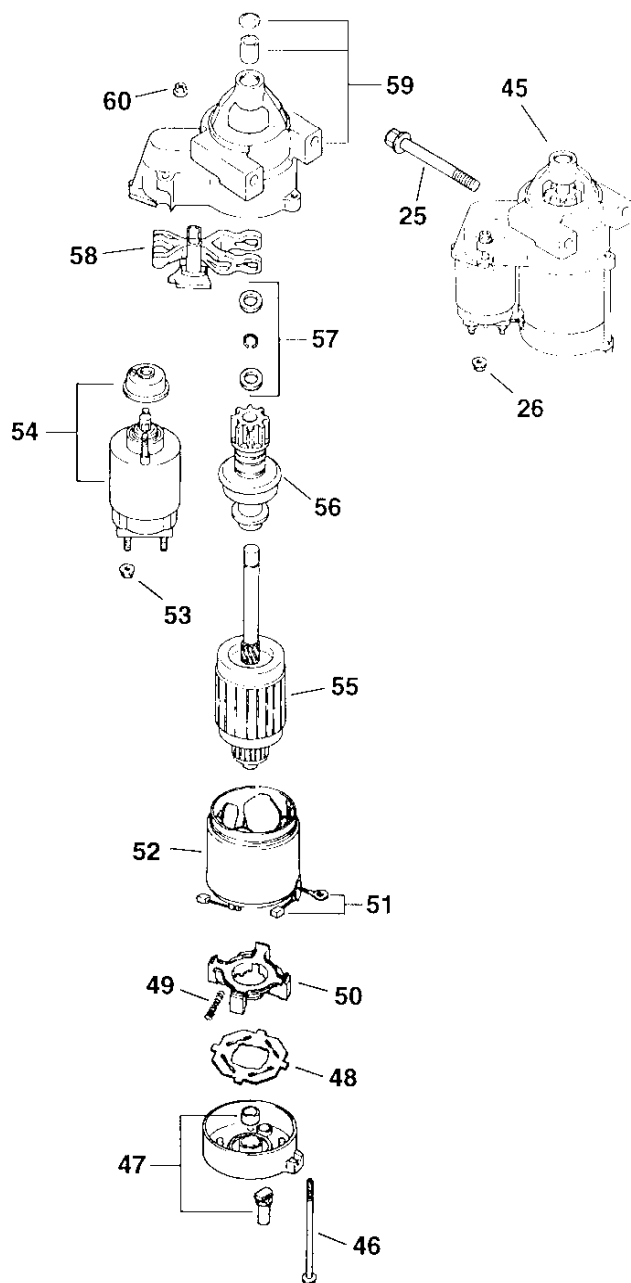
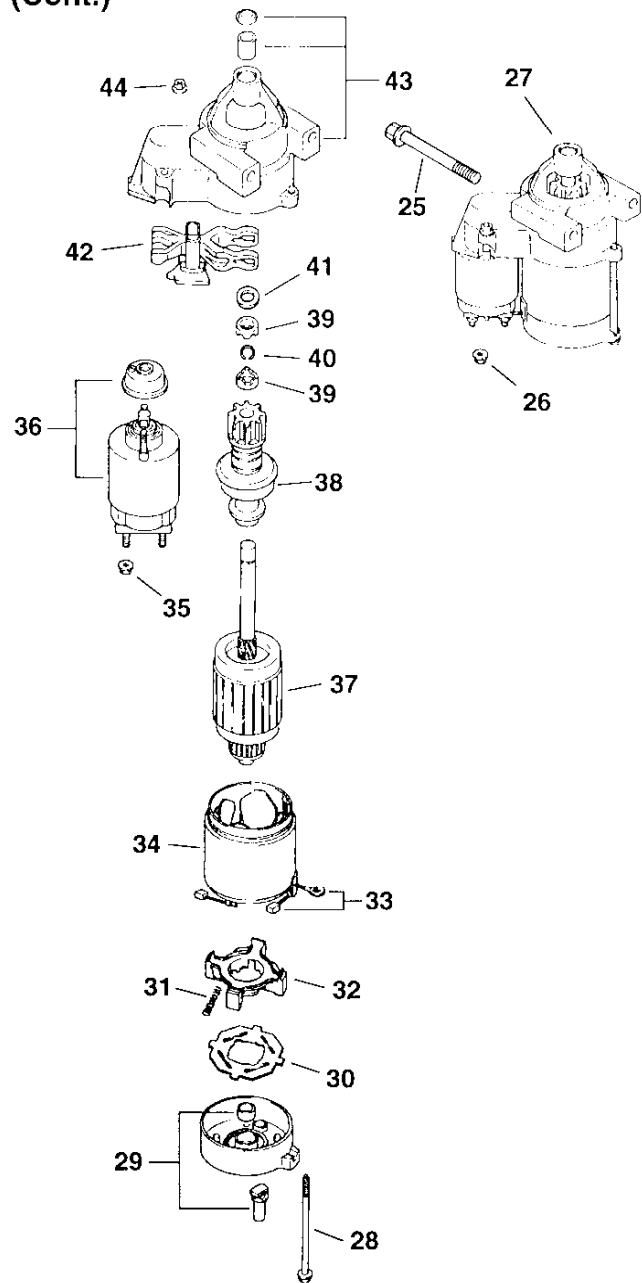
# CV18-25

## Starting System (Cont.)



| Index Number | Description (Qty.)<br>Variation Number           | Part Number | Index Number | Description (Qty.)<br>Variation Number | Part Number |
|--------------|--|-------------|--------------|--|-------------|
| 15           | Washer, plain 11/32" (3)<br>6                    | 12 468 01   | 19           | Screw, hex. flange 1/4-20x4-5/8" (2)   | 12 086 25   |
| 16           | Cover, pinion<br>6                               | 24 096 05   | 20           | Cap, commutator end                    | 12 227 11   |
| 17           | Screw, hex. flange M8x1.25x70<br>6               | M-0839070   | 21           | Kit, brush & spring                    | 82 755 28   |
| 18           | Stator, bendix assembly<br>(Includes 19-24)<br>6 | 25 098 03   | 22           | Armature                               | 45 170 03   |
|              |  |             | 23           | Cap, drive end                         | 12 227 06   |
|              |  |             | 24           | Kit, drive                             | 12 755 54   |

Starting System  
(Cont.)



| Index Number | Description (Qty.)<br>Variation Number  | Part Number |
|--------------|---|-------------|
| 25           | Screw, hex. flange M8x1.25x80.6 (2)   | M-0839080   |
| 25           | Screw, hex. flange M8x1.25x80.6   | M-0839080   |
| 26           | Nut, hex. flange M8x1.25  | M-0841080   |
| 27           | Starter, solenoid shift<br>(Includes 28-44)<br>(Use before Serial No. 2509000017) | 12 098 03   |
|              | 200   |             |

| Index Number | Description (Qty.)<br>Variation Number | Part Number |
|--------------|--|-------------|
| 28           | Bolt, thru M5x0.8x99 (2)               | 52 211 05   |
| 29           | Cap, commutator end                    | 12 301 01   |
| 30           | Insulator                              | 52 168 01   |
| 31           | Spring, brush (4)                      | 52 089 09   |
| 32           | Holder, brush                          | 52 323 03   |
| 33           | Kit, brush<br>(Includes 31)            | 52 221 01   |
| 34           | Frame                                  | 12 471 01   |
| 35           | Nut, starter                           | 52 100 09   |
| 36           | Solenoid                               | 52 435 02   |



## CV18-25

Starting System  
(Cont.)

| Index Number | Description (Qty.)<br>Variation Number  | Part Number | Index Number | Description (Qty.)<br>Variation Number | Part Number |
|--------------|---|-------------|--------------|--|-------------|
| 37           | Armature, starter   | 12 170 03   | 46           | Bolt, thru M5x0.8x99 (2)               | 52 211 05   |
| 38           | Drive, pinion   | 12 239 01   | 47           | Cap, commutator end                    | 12 301 01   |
| 39           | Nut, stop collar (2)<br>(Replaced by 82 755 84)   | 52 100 08   | 48           | Insulator                              | 52 168 01   |
| 40           | Ring, retainer<br>(Replaced by 82 755 84)   | 52 141 03   | 49           | Spring, brush (4)                      | 52 089 09   |
| 41           | Washer, thrust<br>(Replaced by 82 755 84)   | 52 468 14   | 50           | Holder, brush                          | 52 323 03   |
| 42           | Lever, starter drive  | 12 090 10   | 51           | Kit, brush<br>(Includes 49)            | 52 221 01   |
| 43           | Cap, drive end  | 12 081 02   | 52           | Frame                                  | 12 471 01   |
| 44           | Nut, starter (2)  | 52 100 10   | 53           | Nut, starter                           | 52 100 09   |
| 45           | Starter, solenoid shift<br>(Includes 46-60)   |             | 54           | Solenoid                               | 52 435 02   |
|              | 2   | 12 098 03   | 55           | Armature, starter                      | 12 170 03   |
| 45           | Starter, solenoid shift<br>(Includes 46-60)<br>(Use after Serial No. 2509000017)<br>200 | 12 098 03   | 56           | Drive, pinion                          | 12 239 01   |
|              |   |             | 57           | Kit, starter repair                    | 82 755 84   |
|              |   |             | 58           | Lever, starter drive                   | 12 090 10   |
|              |   |             | 59           | Cap, drive end                         | 12 081 02   |
|              |   |             | 60           | Nut, starter (2)                       | 52 100 10   |

**Group 8  
Fuel System**

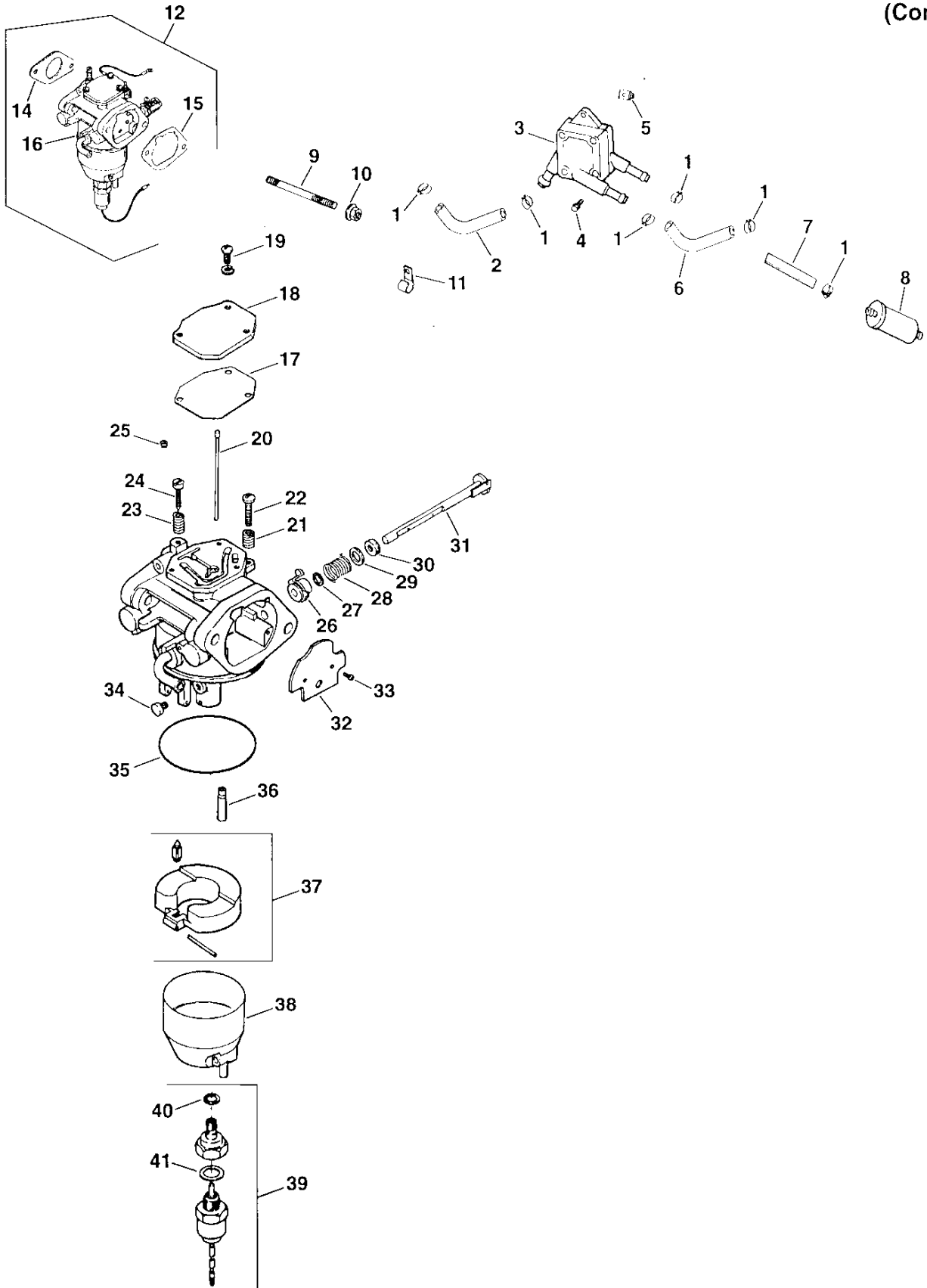
**CV18-25**

The chart below lists carburetor kits, supersessions and/or serial breaks. Locate your variation in the chart to find the appropriate carburetor kit. To ensure that the correct carburetor kit or individual carburetor components are ordered, locate your part number stamped on the carburetor mounting flange and follow the corresponding assembly breakdown.

| Variations   | Carburetor Kit (Carburetor assembly used in Kit*)  |
|--------------|--|
| 23           | 24 853 24(24 053 19*)  |
| 37           | 24 853 09(24 053 08*)<br>-- or use --<br>24 853 19(24 053 19*)   |
| 39,88,93     | 24 853 17(24 053 17*)  |
| 40,53,89,103 | 24 853 22(24 053 17*)  |
| 54,72,404    | 24 853 08(24 053 07*)<br>-- or use --<br>24 853 17(24 053 17*)   |
| 60           | 24 853 16(24 053 16*)  |
| 68           | 24 853 23(24 053 18*)  |
| 69,99        | 24 853 18(24 053 18*)  |
| 73,98        | 24 853 25(24 053 25*)  |
| 75           | 24 853 19(24 053 19*)  |
| 85           | 24 853 10(24 053 09*)<br>-- or use --<br>24 853 16(24 053 16*)   |
| 86           | 24 853 26(24 053 26*)  |
| 95,104       | 24 853 27(24 053 27*)  |
| 108          | 24 853 08(24 053 07*)<br>Use before Serial No. 2434700017<br>-- or use --<br>24 853 17(24 053 17*)<br>24 853 28(24 053 28*)<br>Use after Serial No. 2434700007 |
| 118          | 24 853 21(24 053 16*)  |
| 400          | 24 853 13(24 053 08*)<br>-- or use --<br>24 853 24(24 053 19*)   |
| 401          | 24 853 12(24 053 07*)<br>-- or use --<br>24 853 22(24 053 17*)   |
| 402          | 24 853 08(24 053 07*)<br>-- or use --<br>24 853 22(24 053 17*)   |
| 403          | 24 853 14(24 053 09*)<br>-- or use --<br>24 853 21(24 053 16*)   |

\*NOTE: Carburetor is for information only not available separately.

Fuel System  
(Cont.)



**Fuel System  
(Cont.)**

**CV18-25**

| Index Number | Description (Qty.)<br>Variation Number   | Part Number | Index Number | Description (Qty.)<br>Variation Number   | Part Number |
|--------------|--|-------------|--------------|--|-------------|
| 1            | Clamp, hose (6)<br>23,37,39,40,53,60,68,69,72,73,75,<br>85,86,88,89,93,95,98,99,103,104,<br>108,118,400,401,402,403,404              | X-426-9     | 12           | Kit, carburetor<br>(Includes 14,15, carburetor<br>assembly 24 053 17*)   | 24 853 08   |
| 1            | Clamp, hose (4)<br>54  | X-426-9     | 12           | Kit, carburetor<br>(Includes 14,15, carburetor<br>assembly 24 053 08*)   | 24 853 09   |
| 2            | Line, fuel 10-5/8" (2)<br>23,37,69,73,75,99,400,403  | 24 353 03   | 12           | Kit, carburetor<br>(Includes 14,15, carburetor<br>assembly 24 053 17*)   | 24 853 17   |
| 2            | Line, fuel 11-1/2"<br>39,40,53,54,60,72,85,88,89,93,<br>103,108,118,401,402,403,404  | 15 353 04   | 12           | Kit, carburetor<br>(Includes 14,15, carburetor<br>assembly 24 053 19*)   | 24 853 19   |
| 2            | Line, fuel 12"<br>86,88,89,402   | 52 353 22   | 12           | Kit, carburetor<br>(Includes 14,15, carburetor<br>assembly 24 053 25*)   | 24 853 25   |
| 2            | Line, fuel 13-1/2" (2)<br>104  | 25 353 03   | 12           | Kit, carburetor<br>(Includes 14,15, carburetor<br>assembly 24 053 26*)   | 24 853 26   |
| 3            | Pump, fuel - pulse<br>23,37,39,40,53,54,60,68,69,72,73,<br>75,85,86,88,89,93,95,98,99,103,<br>104,108,118,400,401,402,403,404        | 24 393 04   | 12           | Kit, carburetor<br>(Includes 14,15, carburetor<br>assembly 24 053 28*)   | 24 853 28   |
| 4            | Screw, hex. cap 18 mm (2)<br>23,37,39,40,53,54,60,68,69,72,73,<br>75,85,86,88,89,93,95,98,99,103,<br>104,108,118,400,401,402,403,404 | 24 086 12   | 14           | Gasket, carburetor<br>23,37,39,40,53,54,68,69,72,73,75,<br>85,86,88,89,93,95,98,99,103,104,<br>108,118,400,401,402,403,404       | 24 041 15   |
| 5            | Nut (2)<br>23,37,39,40,53,54,60,68,69,72,73,<br>75,85,86,88,89,93,95,98,99,103,<br>104,108,118,400,401,402,403,404                   | 24 100 01   | 15           | Gasket, air cleaner base<br>23,37,39,40,53,54,68,69,72,73,75,<br>85,86,88,89,93,95,98,99,103,104,<br>108,118,400,401,402,403,404 | 24 041 14   |
| 6            | Line, fuel 10-5/8"<br>39,40,53,54,60,68,72,85,86,88,89,<br>93,95,98,103,104,108,118,401,404  | 24 353 03   | 16           | Carburetor assembly<br>(Includes 17-41, carburetor<br>repair kit 24 757 06)  | 24 053 08*  |
| 7            | Line, fuel 3-1/2"<br>23,37,39,40,60,86,95,108,400,401,<br>402,403,404  | 25 353 15   | 17           | Gasket, passage cover  | 24 041 18   |
| 7            | Line, fuel 10"<br>68,69  | 52 353 20   | 18           | Cover, passage   | 24 096 13   |
| 7            | Line, fuel 9"<br>72,75,85,99   | 25 353 10   | 19           | Screw, sems pan hd. M4x0.7x8 (3)   | 24 086 21   |
| 7            | Line, fuel 13-1/2"<br>73,95,98,103,118   | 25 353 03   | 20           | Jet, slow  | 24 337 06   |
| 8            | Filter, fuel<br>23,37,39,40,60,68,69,72,75,85,86,<br>88,89,93,95,99,103,108,118,400,<br>401,402,403,404                              | 25 050 03   | 21           | Spring, idle adjusting screw   | 24 089 23   |
| 8            | Filter, fuel<br>73,98,104  | 25 050 05   | 22           | Screw, idle adjusting  | 24 086 22   |
| 9            | Stud, M6x1.0x95 (2)<br>23,37,68,69,73,75,98,99,400   | M-0629095   | 23           | Spring, throttle adjusting screw   | 24 089 24   |
| 9            | Stud, M6x1.0x128 (2)<br>39,40,53,54,60,72,85,86,88,89,<br>93,103,108,118,401,402,403,404   | M-0629128   | 24           | Screw, throttle adjusting  | 24 086 19   |
| 9            | Stud, M6x1.0x105 (2)<br>95,104   | M-0629105   | 25           | Jet, air bleed   | 24 337 07   |
| 10           | Nut, hex. M6x1.0 (2)<br>23,37,39,40,53,54,60,68,69,72,73,<br>75,85,86,88,89,93,95,98,99,103,<br>104,108,118,400,401,402,403,404      | M-0641060   | 26           | Lever, choke   | 24 090 10   |
| 11           | Clip<br>39,40,53,54,60,72,73,85,86,88,89,<br>93,98,103,108,118,401,402,403,<br>404   | 47 154 01   | 27           | Ring, choke lever  | 24 141 04   |
|              |  |             | 28           | Spring, choke return   | 24 089 22   |
|              |  |             | 29           | Collar, choke  | 24 241 01   |
|              |  |             | 30           | Washer, felt 5.7 mm  | 24 468 05   |
|              |  |             | 31           | Shaft, choke   | 24 144 15   |
|              |  |             | 32           | Valve, choke<br>(Replaced by 24 146 13)  | 24 462 02   |
|              |  |             | 33           | Screw, sems pan hd.<br>M3x0.5x4.5 (4)  | 24 086 20   |
|              |  |             | 34           | Jet, main  | 24 337 08   |
|              |  |             | 35           | Gasket, float chamber  | 24 041 19   |
|              |  |             | 36           | Nozzle, main   | 24 369 01   |
|              |  |             | 37           | Kit, float   | 24 757 05   |
|              |  |             | 38           | Chamber, float (bowl)  | 24 234 01   |
|              |  |             | 39           | Kit, solenoid valve<br>(Includes 40,41)  | 24 755 15   |

\*NOTE: Carburetor is for information only not available separately.

## CV18-25

Fuel System  
(Cont.)

| Index Number | Description (Qty.)<br>Variation Number   | Part Number | Index Number | Description (Qty.)<br>Variation Number   | Part Number |
|--------------|--|-------------|--------------|--|-------------|
| 40           | Gasket, chamber screw  | 24 041 21   | 36           | Nozzle, main   | 24 369 01   |
| 41           | Gasket, solenoid   | 24 041 20   | 37           | Kit, float   | 24 757 05   |
| 16           | Carburetor assembly<br>(Includes 17-41, carburetor repair<br>kit 24 757 06, high altitude kits<br>24 755 25 & 24 755 26) | 24 053 17*  | 38           | Chamber, float (bowl)  | 24 234 01   |
| 17           | Gasket, passage cover  | 24 041 18   | 39           | Kit, solenoid valve<br>(Includes 40,41)  | 24 755 15   |
| 18           | Cover, passage   | 24 096 13   | 40           | Gasket, chamber screw  | 24 041 21   |
| 19           | Screw, sems pan hd. M4x0.7x8 (3)   | 24 086 21   | 41           | Gasket, solenoid   | 24 041 20   |
| 20           | Jet, slow  | 24 337 11   | 16           | Carburetor assembly<br>(Includes 17-41, carburetor repair<br>kit 24 757 06, high altitude kits<br>24 755 72 & 24 755 73) | 24 053 25   |
| 21           | Spring, idle adjusting screw   | 24 089 23   | 17           | Gasket, passage cover  | 24 041 18   |
| 22           | Screw, idle adjusting  | 24 086 22   | 18           | Cover, passage   | 24 096 13   |
| 23           | Spring, throttle adjusting screw   | 24 089 24   | 19           | Screw, sems pan hd. M4x0.7x8 (3)   | 24 086 21   |
| 24           | Screw, throttle adjusting  | 24 086 19   | 20           | Jet, slow  | 24 337 11   |
| 25           | Jet, air bleed   | 24 337 27   | 21           | Spring, idle adjusting screw   | 24 089 23   |
| 26           | Lever, choke   | 24 090 10   | 22           | Screw, idle adjusting  | 24 086 22   |
| 27           | Ring, choke lever  | 24 141 04   | 23           | Spring, throttle adjusting screw   | 24 089 24   |
| 28           | Spring, choke return   | 24 089 22   | 24           | Screw, throttle adjusting  | 24 086 19   |
| 29           | Collar, choke  | 24 241 01   | 25           | Jet, air bleed   | 24 337 27   |
| 30           | Washer, felt 5.7 mm  | 24 468 05   | 26           | Lever, choke   | 24 090 10   |
| 31           | Shaft, choke   | 24 144 15   | 27           | Ring, choke lever  | 24 141 04   |
| 32           | Plate, choke   | 24 146 13   | 28           | Spring, choke return   | 24 089 22   |
| 33           | Screw, sems pan hd.<br>M3x0.5x4.5 (4)  | 24 086 20   | 29           | Collar, choke  | 24 241 01   |
| 34           | Jet, main  | 24 337 20   | 30           | Washer, felt 5.7 mm  | 24 468 05   |
| 35           | Gasket, float chamber  | 24 041 19   | 31           | Shaft, choke   | 24 144 15   |
| 36           | Nozzle, main   | 24 369 01   | 32           | Plate, choke   | 24 146 13   |
| 37           | Kit, float   | 24 757 05   | 33           | Screw, sems pan hd.<br>M3x0.5x4.5 (4)  | 24 086 20   |
| 38           | Chamber, float (bowl)  | 24 234 01   | 34           | Jet, main  | 24 337 20   |
| 39           | Kit, solenoid valve<br>(Includes 40,41)  | 24 755 15   | 35           | Gasket, float chamber  | 24 041 19   |
| 40           | Gasket, chamber screw  | 24 041 21   | 36           | Nozzle, main   | 24 369 01   |
| 41           | Gasket, solenoid   | 24 041 20   | 37           | Kit, float   | 24 757 05   |
| 16           | Carburetor assembly<br>(Includes 17-41, carburetor repair<br>kit 24 757 06, high altitude kits<br>24 755 25 & 24 755 26) | 24 053 19*  | 38           | Chamber, float (bowl)  | 24 234 01   |
| 17           | Gasket, passage cover  | 24 041 18   | 39           | Kit, solenoid valve<br>(Includes 40,41)  | 24 755 15   |
| 18           | Cover, passage   | 24 096 13   | 40           | Gasket, chamber screw  | 24 041 21   |
| 19           | Screw, sems pan hd.<br>M4x0.7x8 (3)  | 24 086 21   | 41           | Gasket, solenoid   | 24 041 20   |
| 20           | Jet, slow  | 24 337 11   | 16           | Carburetor assembly<br>(Includes 17-41, carburetor repair<br>kit 24 757 06)  | 24 053 26*  |
| 21           | Spring, idle adjusting screw   | 24 089 23   | 17           | Gasket, passage cover  | 24 041 18   |
| 22           | Screw, idle adjusting  | 24 086 22   | 18           | Cover, passage   | 24 096 13   |
| 23           | Spring, throttle adjusting screw   | 24 089 24   | 19           | Screw, sems pan hd. M4x0.7x8 (3)   | 24 086 21   |
| 24           | Screw, throttle adjusting  | 24 086 19   | 20           | Jet, slow  | 24 337      |
| 25           | Jet, air bleed   | 24 337 27   | 21           | Spring, idle adjusting screw   | 24 089 23   |
| 26           | Lever, choke   | 24 090 10   | 22           | Screw, idle adjusting  | 24 086 22   |
| 27           | Ring, choke lever  | 24 141 04   | 23           | Spring, throttle adjusting screw   | 24 089 24   |
| 28           | Spring, choke return   | 24 089 22   | 24           | Screw, throttle adjusting  | 24 086 19   |
| 29           | Collar, choke  | 24 241 01   | 25           | Jet, air bleed   | 24 337      |
| 30           | Washer, felt 5.7 mm  | 24 468 05   | 26           | Lever, choke   | 24 090 10   |
| 31           | Shaft, choke   | 24 144 15   | 27           | Ring, choke lever  | 24 141 04   |
| 32           | Plate, choke   | 24 146 13   | 28           | Spring, choke return   | 24 089 22   |
| 33           | Screw, sems pan hd.<br>M3x0.5x4.5 (4)  | 24 086 20   | 29           | Collar, choke  | 24 241 01   |
| 34           | Jet, main  | 24 337 20   | 30           | Washer, felt 5.7 mm  | 24 468 05   |
| 35           | Gasket, float chamber  | 24 041 19   |              |  |             |

\*NOTE: Carburetor is for information only not available separately.

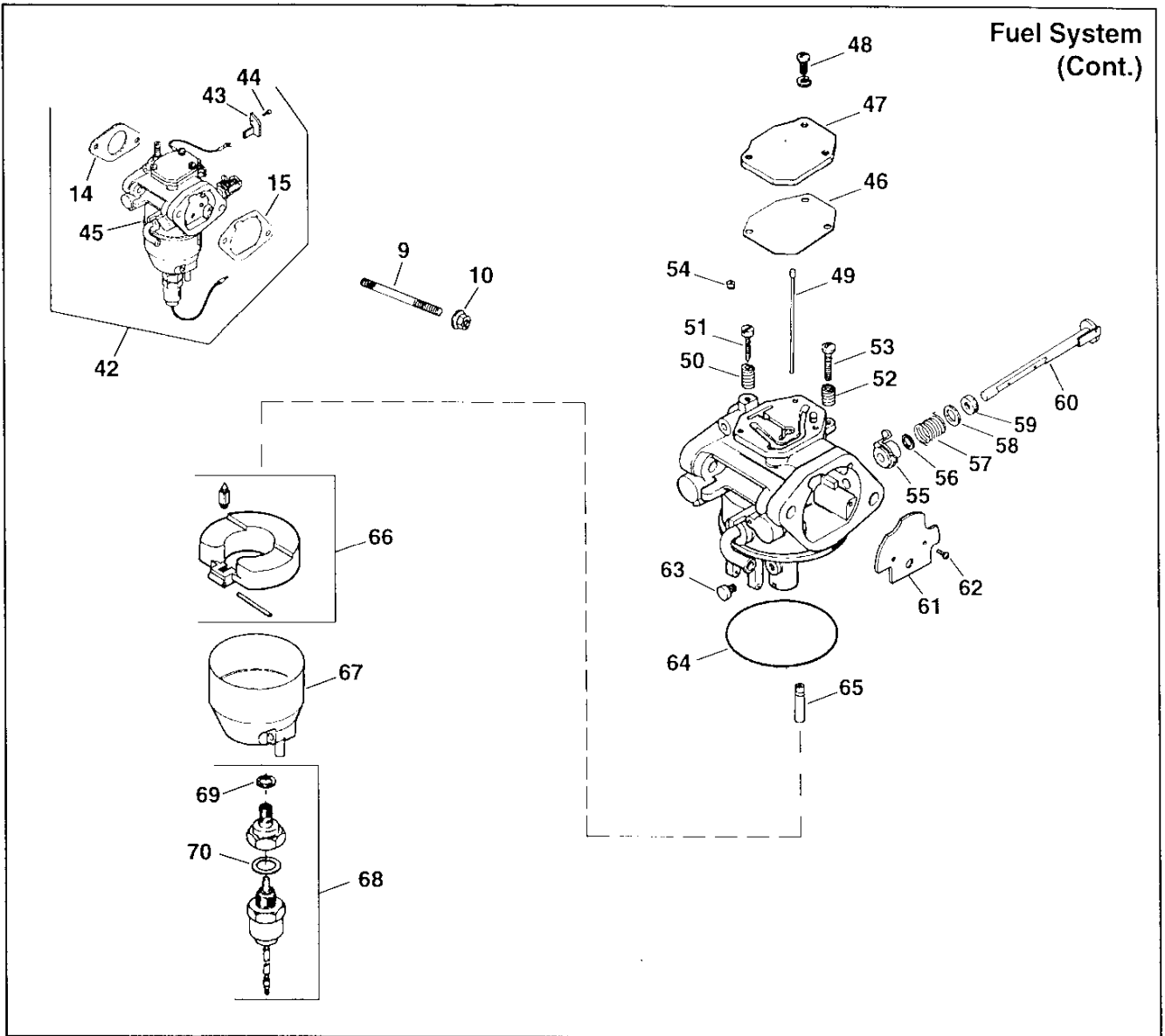
Fuel System  
(Cont.)

CV18-25

| Index Number | Description (Qty.)<br>Variation Number                                      | Part Number | Index Number | Description (Qty.)<br>Variation Number  | Part Number |
|--------------|---|-------------|--------------|---|-------------|
| 31           | Shaft, choke  | 24 144 15   | 22           | Screw, idle adjusting                   | 24 086 22   |
| 32           | Plate, choke  | 24 146 13   | 23           | Spring, throttle adjusting screw        | 24 089 24   |
| 33           | Screw, sems pan hd.<br>M3x0.5x4.5 (4)                                       | 24 086 20   | 24           | Screw, throttle adjusting               | 24 086 19   |
| 34           | Jet, main   | 24 337      | 25           | Jet, air bleed                          | 24 337      |
| 35           | Gasket, float chamber   | 24 041 19   | 26           | Lever, choke                            | 24 090 10   |
| 36           | Nozzle, main  | 24 369 01   | 27           | Ring, choke lever                       | 24 141 04   |
| 37           | Kit, float  | 24 757 05   | 28           | Spring, choke return                    | 24 089 22   |
| 38           | Chamber, float (bowl)   | 24 234 01   | 29           | Collar, choke                           | 24 241 01   |
| 39           | Kit, solenoid valve<br>(Includes 40,41)                                     | 24 755 15   | 30           | Washer, felt 5.7 mm                     | 24 468 05   |
| 40           | Gasket, chamber screw   | 24 041 21   | 31           | Shaft, choke                            | 24 144 15   |
| 41           | Gasket, solenoid  | 24 041 20   | 32           | Plate, choke                            | 24 146 13   |
| 16           | Carburetor assembly<br>(Includes 17-41, carburetor repair<br>kit 24 757 06) | 24 053 28*  | 33           | Screw, sems pan hd.<br>M3x0.5x4.5 (4)   | 24 086 20   |
| 17           | Gasket, passage cover   | 24 041 18   | 34           | Jet, main                               | 24 337      |
| 18           | Cover, passage  | 24 096 13   | 35           | Gasket, float chamber                   | 24 041 19   |
| 19           | Screw, sems pan hd. M4x0.7x8 (3)  | 24 086 21   | 36           | Nozzle, main                            | 24 369 01   |
| 20           | Jet, slow   | 24 337      | 37           | Kit, float                              | 24 757 05   |
| 21           | Spring, idle adjusting screw  | 24 089 23   | 38           | Chamber, float (bowl)                   | 24 234 01   |
|              |   |             | 39           | Kit, solenoid valve<br>(Includes 40,41) | 24 755 15   |
|              |   |             | 40           | Gasket, chamber screw                   | 24 041 21   |
|              |   |             | 41           | Gasket, solenoid                        | 24 041 20   |

\*NOTE: Carburetor is for information only not available separately.

Fuel System  
(Cont.)



| Index Number | Description (Qty.)<br>Variation Number                                       | Part Number | Index Number | Description (Qty.)<br>Variation Number   | Part Number |
|--------------|--|-------------|--------------|--|-------------|
| 42           | Kit, carburetor<br>(Includes 14,15,43,44,<br>carburetor assembly 24 053 07*) | 24 853 12   | 43           | Bracket, throttle stop<br>95,104   | 24 126 53   |
| 42           | Kit, carburetor<br>(Includes 14,15,43,44,<br>carburetor assembly 24 053 08*) | 24 853 13   | 44           | Screw, phillips hd. M2x0.45x6<br>23,40,53,68,89,95,98,103,104,118,<br>400,401,402,403                                    | M-0259006   |
| 42           | Kit, carburetor<br>(Includes 14,15,43,44,<br>carburetor assembly 24 053 17*) | 24 853 22   | 45           | Carburetor assembly<br>(Includes 46-70, carburetor repair<br>kit 24 757 06, high altitude kits<br>24 755 25 & 24 755 26) | 24 053 07*  |
| 42           | Kit, carburetor<br>(Includes 14,15,43,44,<br>carburetor assembly 24 053 19*) | 24 853 24   | 46           | Gasket, passage cover  | 24 041 18   |
| 43           | Bracket, throttle stop<br>23,40,53,68,89,98,103,118,400,<br>401,402,403      | 24 126 29   | 47           | Cover, passage   | 24 096 13   |
|              |  |             | 48           | Screw, sems pan hd. M4x0.7x8 (3)   | 24 086 21   |
|              |  |             | 49           | Jet, slow  | 24 337 06   |
|              |  |             | 50           | Spring, Idle adjusting screw   | 24 089 23   |

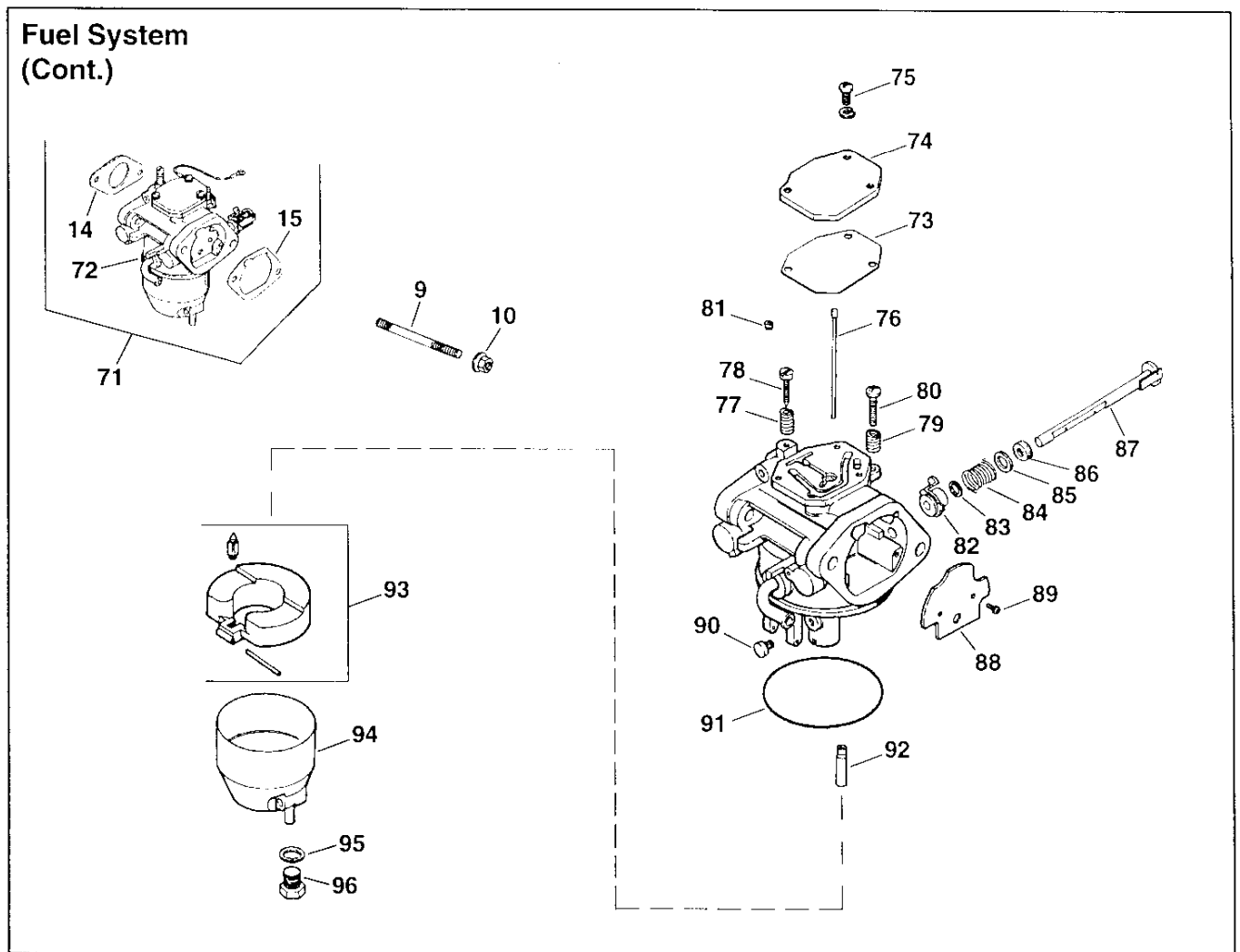
\*NOTE: Carburetor is for information only not available separately.

# Fuel System (Cont.)

## CV18-25

| Index Number | Description (Qty.)<br>Variation Number  | Part Number | Index Number | Description (Qty.)<br>Variation Number  | Part Number |
|--------------|---|-------------|--------------|---|-------------|
| 51           | Screw, idle adjusting                   | 24 086 22   | 62           | Screw, sems pan hd.<br>M3x0.5x4.5 (4)   | 24 086 20   |
| 52           | Spring, throttle adjusting screw        | 24 089 24   | 63           | Jet, main                               | 24 337 19   |
| 53           | Screw, throttle adjusting               | 24 086 19   | 64           | Gasket, float chamber                   | 24 041 19   |
| 54           | Jet, air bleed                          | 24 337 07   | 65           | Nozzle, main                            | 24 369 01   |
| 55           | Lever, choke                            | 24 090 10   | 66           | Kit, float                              | 24 757 05   |
| 56           | Ring, choke lever                       | 24 141 04   | 67           | Chamber, float (bowl)                   | 24 234 01   |
| 57           | Spring, choke return                    | 24 089 22   | 68           | Kit, solenoid valve<br>(Includes 69,70) | 24 755 15   |
| 58           | Collar, choke                           | 24 241 01   | 69           | Gasket, chamber screw                   | 24 041 21   |
| 59           | Washer, felt 5.7 mm                     | 24 468 05   | 70           | Gasket, solenoid                        | 24 041 20   |
| 60           | Shaft, choke                            | 24 144 15   |              |   |             |
| 61           | Valve, choke<br>(Replaced by 24 146 13) | 24 462 02   |              |   |             |

### Fuel System (Cont.)





## CV18-25

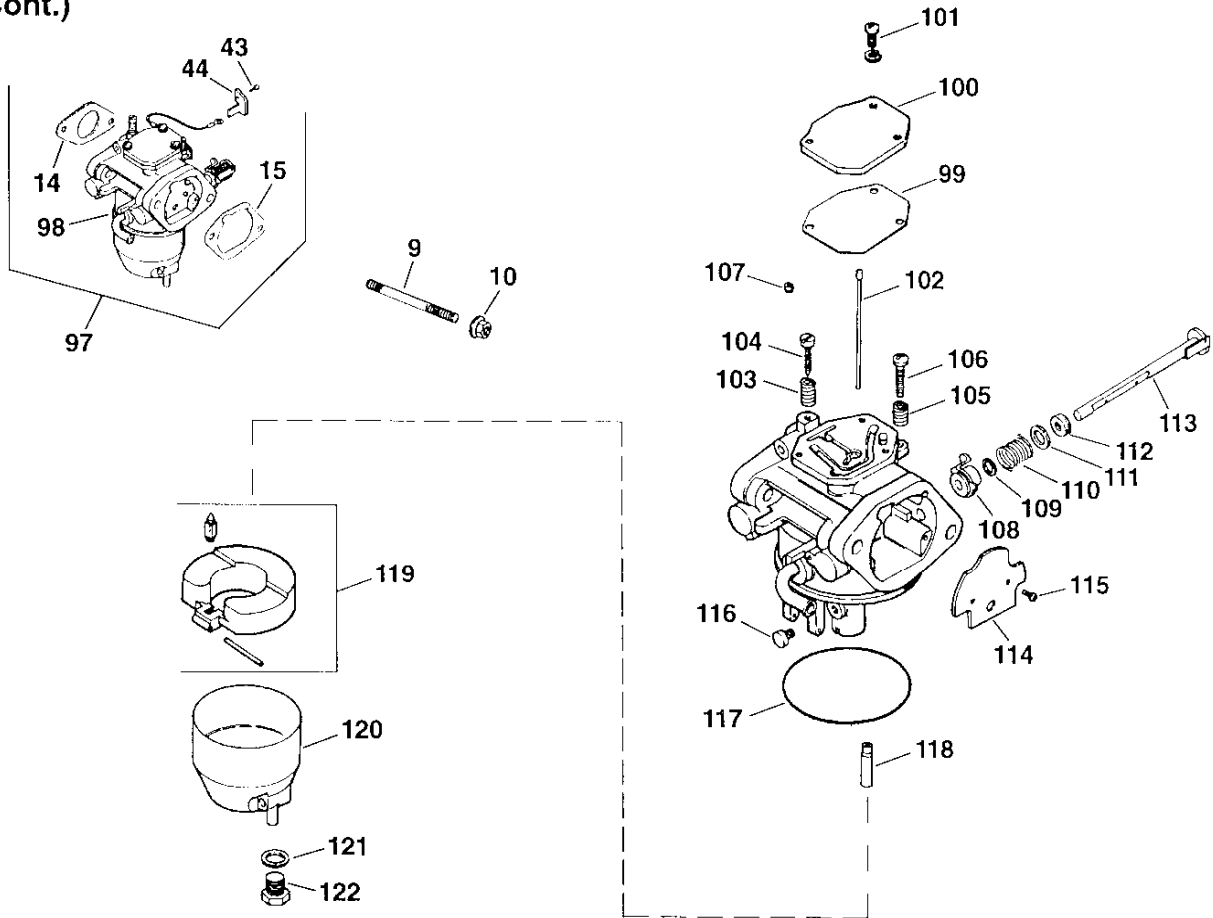
Fuel System  
(Cont.)

| Index Number | Description (Qty.)<br>Variation Number   | Part Number | Index Number | Description (Qty.)<br>Variation Number   | Part Number |
|--------------|--|-------------|--------------|--|-------------|
| 71           | Kit, carburetor<br>(Includes 14,15, carburetor assembly 24 053 09*)  | 24 853 10   | 79           | Spring, throttle adjusting screw   | 24 089 24   |
| 71           | Kit, carburetor<br>(Includes 14,15, carburetor assembly 24 053 16*)  | 24 853 16   | 80           | Screw, throttle adjusting  | 24 086 19   |
| 71           | Kit, carburetor<br>(Includes 14,15, carburetor assembly 24 053 18*)  | 24 853 18   | 81           | Jet, air bleed   | 24 337 27   |
| 72           | Carburetor assembly<br>(Includes 73-96, carburetor repair kit 24 757 06, high altitude kits 24 755 27 & 24 755 26) | 24 053 09*  | 82           | Lever, choke   | 24 090 10   |
| 73           | Gasket, passage cover  | 24 041 18   | 83           | Ring, choke lever  | 24 141 04   |
| 74           | Cover, passage   | 24 096 13   | 84           | Spring, choke return   | 24 089 22   |
| 75           | Screw, sems pan hd.<br>M4x0.7x8 (3)  | 24 086 21   | 85           | Collar, choke  | 24 241 01   |
| 76           | Jet, slow  | 24 337 06   | 86           | Washer, felt 5.7 mm  | 24 468 05   |
| 77           | Spring, idle adjusting screw   | 24 089 23   | 87           | Shaft, choke   | 24 144 15   |
| 78           | Screw, idle adjusting  | 24 086 22   | 88           | Plate, choke   | 24 146 13   |
| 79           | Spring, throttle adjusting screw   | 24 089 24   | 89           | Screw, sems pan hd.<br>M3x0.5x4.5 (4)  | 24 086 20   |
| 80           | Screw, throttle adjusting  | 24 086 19   | 90           | Jet, main  | 24 337 13   |
| 81           | Jet, air bleed   | 24 337 07   | 91           | Gasket, float chamber  | 24 041 19   |
| 82           | Lever, choke   | 24 090 10   | 92           | Nozzle, main   | 24 369 01   |
| 83           | Ring, choke lever  | 24 141 04   | 93           | Kit, float   | 24 757 05   |
| 84           | Spring, choke return   | 24 089 22   | 94           | Chamber, float (bowl)  | 24 234 01   |
| 85           | Collar, choke  | 24 241 01   | 95           | Gasket, chamber screw  | 24 041 21   |
| 86           | Washer, felt 5.7 mm  | 24 468 05   | 96           | Screw, chamber set M8x1.0x10   | 24 086 24   |
| 87           | Shaft, choke   | 24 144 15   | 72           | Carburetor assembly<br>(Includes 73-96, carburetor repair kit 24 757 06, high altitude kits 24 755 29 & 24 755 30) | 24 053 18*  |
| 88           | Valve, choke<br>(Replaced by 24 146 13)  | 24 462 02   | 73           | Gasket, passage cover  | 24 041 18   |
| 89           | Screw, sems pan hd.<br>M3x0.5x4.5 (4)  | 24 086 20   | 74           | Cover, passage   | 24 096 13   |
| 90           | Jet, main  | 24 337 08   | 75           | Screw, sems pan hd. M4x0.7x8 (3)   | 24 086 21   |
| 91           | Gasket, float chamber  | 24 041 19   | 76           | Jet, slow  | 24 337 11   |
| 92           | Nozzle, main   | 24 369 01   | 77           | Spring, idle adjusting screw   | 24 089 23   |
| 93           | Kit, float   | 24 757 05   | 78           | Screw, idle adjusting  | 24 086 22   |
| 94           | Chamber, float (bowl)  | 24 234 01   | 79           | Spring, throttle adjusting screw   | 24 089 24   |
| 95           | Gasket, chamber screw  | 24 041 21   | 80           | Screw, throttle adjusting  | 24 086 19   |
| 96           | Screw, chamber set M8x1x10   | 24 086 24   | 81           | Jet, air bleed   | 24 337 27   |
| 72           | Carburetor assembly<br>(Includes 73-96, carburetor repair kit 24 757 06, high altitude kits 24 755 31 & 24 755 32) | 24 053 16*  | 82           | Lever, choke   | 24 090 10   |
| 73           | Gasket, passage cover  | 24 041 18   | 83           | Ring, choke lever  | 24 141 04   |
| 74           | Cover, passage   | 24 096 13   | 84           | Spring, choke return   | 24 089 22   |
| 75           | Screw, sems pan hd. M4x0.7x8 (3)   | 24 086 21   | 85           | Collar, choke  | 24 241 01   |
| 76           | Jet, slow  | 24 337 11   | 86           | Washer, felt 5.7 mm  | 24 468 05   |
| 77           | Spring, idle adjusting screw   | 24 089 23   | 87           | Shaft, choke   | 24 144 15   |
| 78           | Screw, idle adjusting  | 24 086 22   | 88           | Plate, choke   | 24 146 13   |
|              |  |             | 89           | Screw, sems pan hd.<br>M3x0.5x4.5 (4)  | 24 086 20   |
|              |  |             | 90           | Jet, main  | 24 337 12   |
|              |  |             | 91           | Gasket, float chamber  | 24 041 19   |
|              |  |             | 92           | Nozzle, main   | 24 369 01   |
|              |  |             | 93           | Kit, float   | 24 757 05   |
|              |  |             | 94           | Chamber, float (bowl)  | 24 234 01   |
|              |  |             | 95           | Gasket, chamber screw  | 24 041 21   |
|              |  |             | 96           | Screw, chamber set M8x1.0x10   | 24 086 24   |

\*NOTE: Carburetor is for information only not available separately.

# CV18-25

## Fuel System (Cont.)



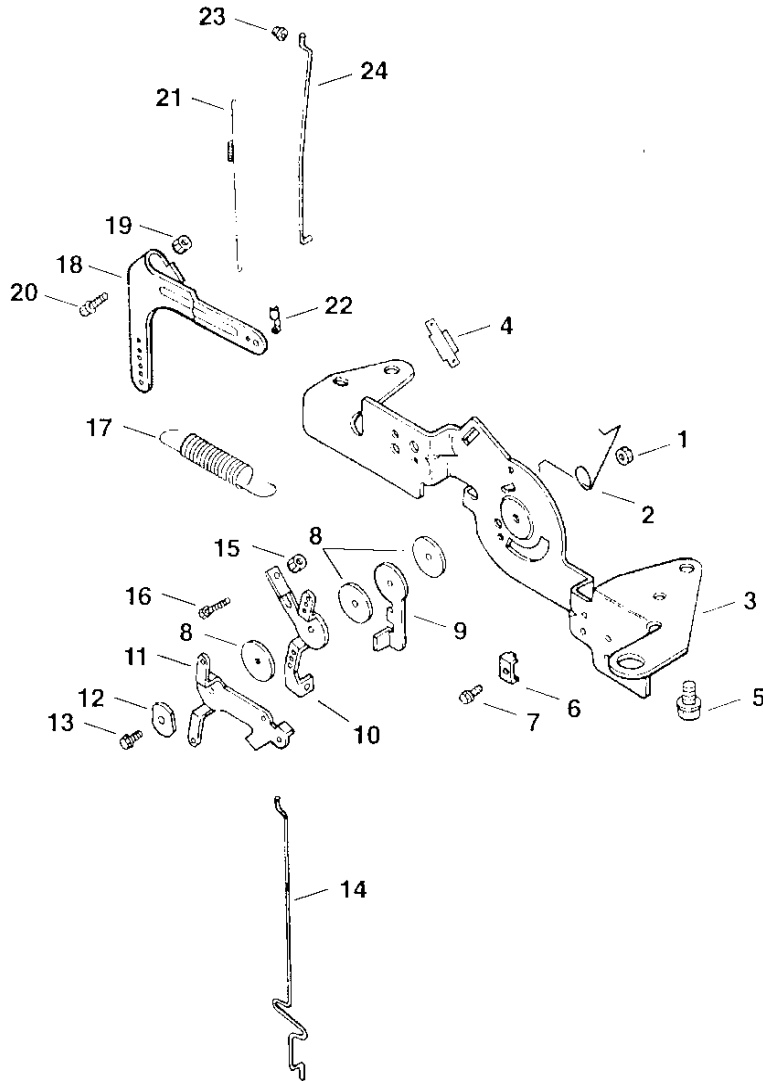
| Index Number | Description (Qty.)<br>Variation Number  | Part Number | Index Number | Description (Qty.)<br>Variation Number    | Part Number |
|--------------|---|-------------|--------------|---|-------------|
| 97           | <b>Kit, carburetor</b><br>(Includes 14,15,43,44, carburetor assembly 24 053 09*)  | 24 853 14   | 105          | <b>Spring, throttle adjusting screw</b>   | 24 089 24   |
| 97           | <b>Kit, carburetor</b><br>(Includes 14,15,43,44, carburetor assembly 24 053 16*)  | 24 853 21   | 106          | <b>Screw, throttle adjusting</b>          | 24 086 19   |
| 97           | <b>Kit, carburetor</b><br>(Includes 14,15,43,44, carburetor assembly 24 053 18*)  | 24 853 23   | 107          | <b>Jet, air bleed</b>                     | 24 337      |
| 97           | <b>Kit, carburetor</b><br>(Includes 14,15,43,44, carburetor assembly 24 053 27*)  | 24 853 27   | 108          | <b>Lever, choke</b>                       | 24 090 10   |
| 98           | <b>Carburetor assembly</b><br>(Includes 100-123, carburetor repair kit 24 757 06, high altitude kits 24 755 29 & 24 755 30) | 24 053 27*  | 109          | <b>Ring, choke lever</b>                  | 24 141 04   |
| 99           | <b>Gasket, passage cover</b>  | 24 041 18   | 110          | <b>Spring, choke return</b>               | 24 089 22   |
| 100          | <b>Cover, passage</b>   | 24 096 13   | 111          | <b>Collar, choke</b>                      | 24 241 01   |
| 101          | <b>Screw, sems pan hd. M4x0.7x8 (3)</b>   | 24 086 21   | 112          | <b>Washer, felt 5.7 mm</b>                | 24 468 05   |
| 102          | <b>Jet, slow</b>  | 24 337      | 113          | <b>Shaft, choke</b>                       | 24 144 15   |
| 103          | <b>Spring, idle adjusting screw</b>   | 24 089 23   | 114          | <b>Plate, choke</b>                       | 24 146 13   |
| 104          | <b>Screw, idle adjusting</b>  | 24 086 22   | 115          | <b>Screw, sems pan hd. M3x0.5x4.5 (4)</b> | 24 086 20   |
|              |   |             | 116          | <b>Jet, main</b>                          | 24 337      |
|              |   |             | 117          | <b>Gasket, float chamber</b>              | 24 041 19   |
|              |   |             | 118          | <b>Nozzle, main</b>                       | 24 369 01   |
|              |   |             | 119          | <b>Kit, float</b>                         | 24 757 05   |
|              |   |             | 120          | <b>Chamber, float (bowl)</b>              | 24 234 01   |
|              |   |             | 121          | <b>Gasket, chamber screw</b>              | 24 041 21   |
|              |   |             | 122          | <b>Screw, chamber set M8x1.0x10</b>       | 24 086 24   |

\*NOTE: Carburetor Is for information only not available separately.

| Index Number   | Description (Qty.)<br>Variation Number   | Part Number | Index Number | Description (Qty.)<br>Variation Number  | Part Number |
|--|--|-------------|--------------|---|-------------|
| <b>NOT ILLUSTRATED</b>                                 |  |             |              |   |             |
|  | <b>Kit, carburetor repair</b><br>(Includes passage cover gasket,<br>float chamber gasket, chamber screw<br>gasket, throttle adjusting screw, idle<br>adjusting screw, idle adjusting<br>screw spring, throttle adjusting screw<br>spring, float valve) | 24 757 06   |              | <b>Kit, high altitude<br/>(1500-3000 Meter)</b><br>(Includes float chamber gasket,<br>chamber screw gasket, air bleed jet,<br>main jet) | 24 755 25** |
|  | <b>Kit, high altitude<br/>(1500-3000 Meter)</b><br>(Includes float chamber gasket,<br>chamber screw gasket,<br>air bleed jet, main jet)  | 24 755 31** |              | <b>Kit, high altitude<br/>(1500-3000 Meter)</b><br>(Includes float chamber gasket,<br>chamber screw gasket, air bleed jet,<br>main jet) | 24 755 72** |
|  |  |             |              | <b>Kit, high altitude<br/>(3000 Plus Meter)</b><br>(Includes float chamber gasket,<br>chamber screw gasket, air bleed jet,<br>main jet) | 24 755 32** |
|  |  |             |              | <b>Kit, high altitude<br/>(3000 Plus Meter)</b><br>(Includes float chamber gasket,<br>chamber screw gasket, air bleed jet,<br>main jet) | 24 755 26** |
|  |  |             |              | <b>Kit, high altitude<br/>(3000 Plus Meter)</b><br>(Includes float chamber gasket,<br>chamber screw gasket, air bleed jet,<br>main jet) | 24 755 73** |
| **NOTE: Do not use on certified engines in California. |  |             |              |   |             |

# CV18-25

## Group 9 Engine Controls



| Index Number | Description (Qty.)<br>Variation Number                                    | Part Number | Index Number | Description (Qty.)<br>Variation Number  | Part Number |
|--------------|---|-------------|--------------|---|-------------|
| 1            | Nut, hex. flange M5x0.8<br>10,18,21,36                                    | M-0547050   | 5            | Screw, hex. flange M6x1.0x16<br>(Before Serial No. 2433300017 use<br>qty. 4, after Serial No. use qty. 2)<br>402      | M-0645016   |
| 1            | Nut, hex. flange M5x0.8<br>(Use before Serial No. 2433300017)<br>402      | M-0547050   | 6            | Clamp, cable (2)<br>10,18,21,36,45,47,48,55,58,402  | 12 237 01   |
| 2            | Spring, choke return<br>10,18,21,36,47                                    | 24 089 03   | 6            | Clamp, cable (3)<br>19,54   | 12 237 01   |
| 3            | Bracket, control<br>10,18,21,36,47  | 24 126 13   | 6            | Clamp, cable<br>(Before Serial No. 2427300017 use<br>qty. 3, after Serial No. 2427300007<br>use qty. 2)<br>59,400,401 | 12 237 01   |
| 4            | Terminal<br>10  | 25 452 13   | 6            | Clamp, cable<br>(Before Serial No. 2425900017 use<br>qty. 3, after Serial No. 2425900007<br>use qty. 2)<br>403        | 12 237 01   |
| 5            | Screw, hex. flange M6x1.0x16 (4)<br>10,18,21,36,47                        | M-0645016   |              |   |             |
| 5            | Screw, hex. flange M6x1.0x16<br>19,45,48,403                              | M-0645016   |              |   |             |
| 5            | Screw, hex. flange M6x1.0x16 (2)<br>58,59,400                             | M-0645016   |              |   |             |
| 5            | Screw, hex. flange M6x1.0x16<br>(Use before Serial No. 2428500017)<br>401 | M-0645016   |              |   |             |

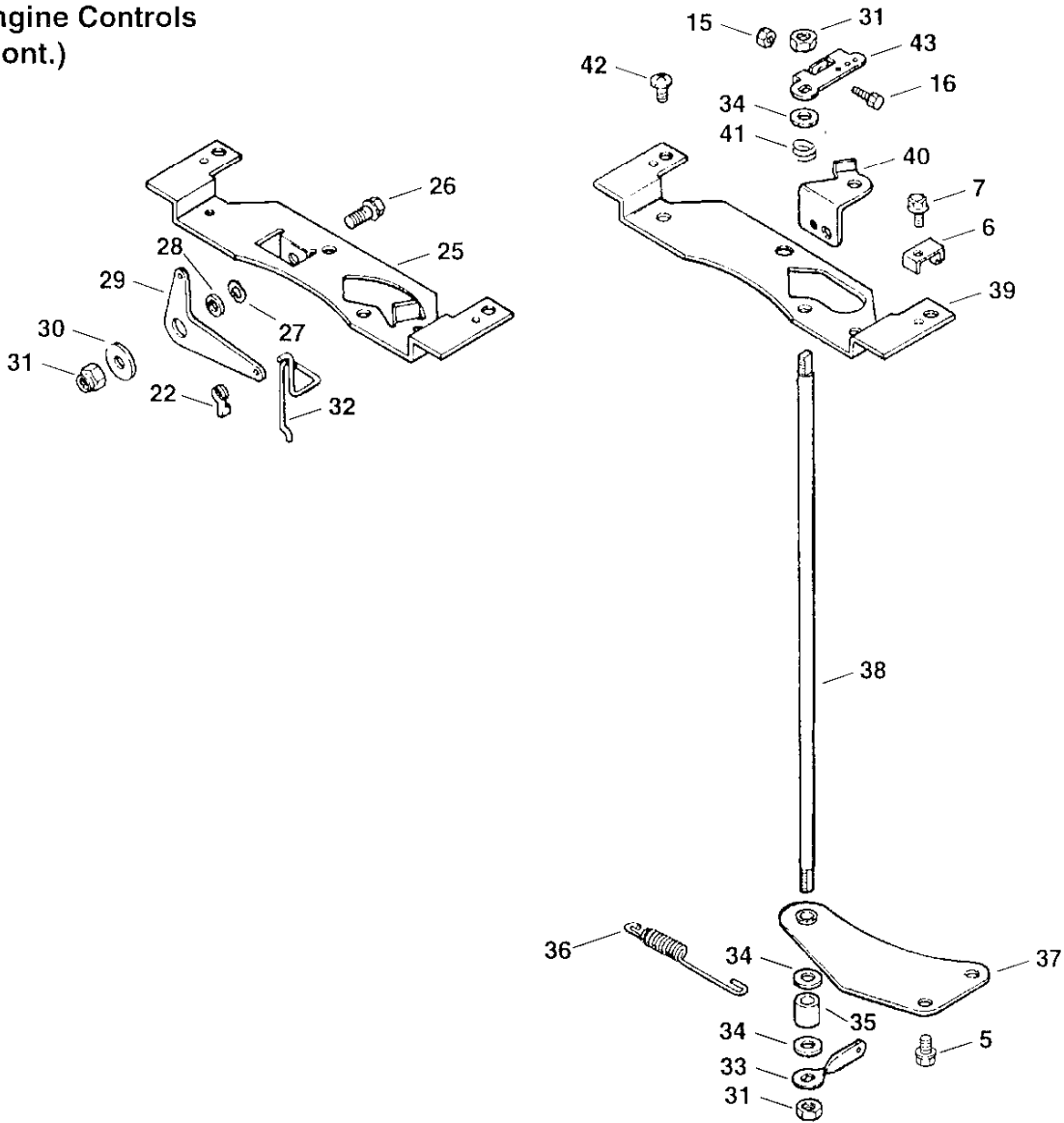
## CV18-25

Engine Controls  
(Cont.)

| Index Number | Description (Qty.)<br>Variation Number   | Part Number            | Index Number | Description (Qty.)<br>Variation Number  | Part Number |
|--------------|--|------------------------|--------------|---|-------------|
| 7            | Screw, hex. flange M5x0.8x16 (3)<br>10,21,18,19,36,47,54   | M-0545016              | 16           | Screw, hex. cap M4x0.7x30<br>19,45,48,54,55,58,59,400,401,403   | M-0401030   |
| 7            | Screw, hex. flange M5x0.8x16 (2)<br>45,48,55,58  | M-0545016              | 16           | Screw, hex. cap M4x0.7x25<br>(Use before Serial No. 2433300017)<br>402  | M-0403025   |
| 7            | Screw, hex. flange M5x0.8x16 (3)<br>(Use before Serial No. 2433300017)<br>402                          | M-0545016              | 16           | Screw, hex. cap M4x0.7x30<br>(Use after Serial No. 2433300007)<br>402   | M-0401030   |
| 8            | Washer, plain 5 mm (3)<br>10,18,21,36,47   | 24 468 01              | 17           | Spring, governor<br>18,36,45,58,402   | 24 089 18   |
| 8            | Washer, plain 5 mm (3)<br>(Use before Serial No. 2433300017)<br>402                                    | 24 468 01              | 18           | Lever, governor<br>10,18,19,21,36,45,47,48,54,55,58,<br>59,400,401,402,403  | 24 090 14   |
| 9            | Lever, throttle actuator<br>10,18,21,36,47   | 24 090 07              | 19           | Nut, hex. flange M6x1.0<br>10,18,19,21,36,45,47,48,54,55,58,<br>59,400,401,402,403  | M-0641060   |
| 10           | Lever, throttle control<br>10,18,21  | 24 090 03              | 20           | Screw, hex. cap M6x1.0x25<br>10,18,19,21,36,45,47,48,54,55,58,<br>59,400,401,402,403  | SM-0642025  |
| 10           | Lever, throttle control<br>36  | 24 090 13              | 21           | Spring, linkage<br>10,18,19,21,36,45,47,48,54,55,58,<br>59,400,401,402,403  | 24 089 01   |
| 10           | Lever, throttle control<br>47<br>Before Serial No. 2416700017 use:<br>After Serial No. 2416700007 use: | 24 090 03<br>24 090 13 | 22           | Bushing, linkage - black<br>10,18,19,21,36,45,47,54   | 25 158 11   |
| 10           | Lever, throttle control<br>(Use before Serial No. 2433300017)<br>402                                   | 24 090 13              | 22           | Bushing, linkage - black (2)<br>48,55,58  | 25 158 11   |
| 11           | Lever, choke<br>10,18,21,36,47   | 24 090 05              | 22           | Bushing, linkage - black<br>(Before Serial No. 2427300017 use<br>qty. 1, after Serial No. 2427300007<br>use qty. 2)<br>59,400,401 | 25 158 11   |
| 12           | Washer, spring 1/4"<br>10,18,21,36,47  | 41 468 03              | 22           | Bushing, linkage - black<br>(Before Serial No. 2433300017 use<br>qty. 1, after Serial No. 2433300007<br>use qty. 2)<br>402        | 25 158 11   |
| 12           | Washer, spring 1/4"<br>(Use before Serial No. 2433300017)<br>402                                       | 41 468 03              | 22           | Bushing, linkage - black<br>(Before Serial No. 2425900017 use<br>qty. 1, after Serial No. 2425900007<br>use qty. 2)<br>403        | 25 158 11   |
| 13           | Screw, hex. flange M5x0.8x20<br>10,18,21,36,47   | M-0545020              | 23           | Bushing, linkage - natural<br>10,18,19,21,36,45,47,48,54,55,58,<br>59,400,401,402,403   | 25 158 08   |
| 13           | Screw, hex. flange M5x0.8x20<br>(Use before Serial No. 2433300017)<br>402                              | M-0545020              | 24           | Linkage, throttle<br>10,18,19,21,36,45,47,48,54,55,58,<br>59,400,401,402,403  | 24 079 04   |
| 14           | Linkage, choke<br>10,18,21,36,47   | 24 079 05              |              |   |             |
| 15           | Nut, hex. flange M4x0.7 (2)<br>10  | M-0446030              |              |   |             |
| 15           | Nut, hex. flange M4x0.7<br>18,19,21,36,47,48,54,55,58,59,<br>400,401,402,403                           | M-0446030              |              |   |             |
| 15           | Nut, hex. flange M4x0.7<br>45,54   | M-0446030              |              |   |             |
| 16           | Screw, hex. cap M4x0.7x25<br>10,18,21,36,47  | M-0403025              |              |   |             |

# CV18-25

## Engine Controls (Cont.)



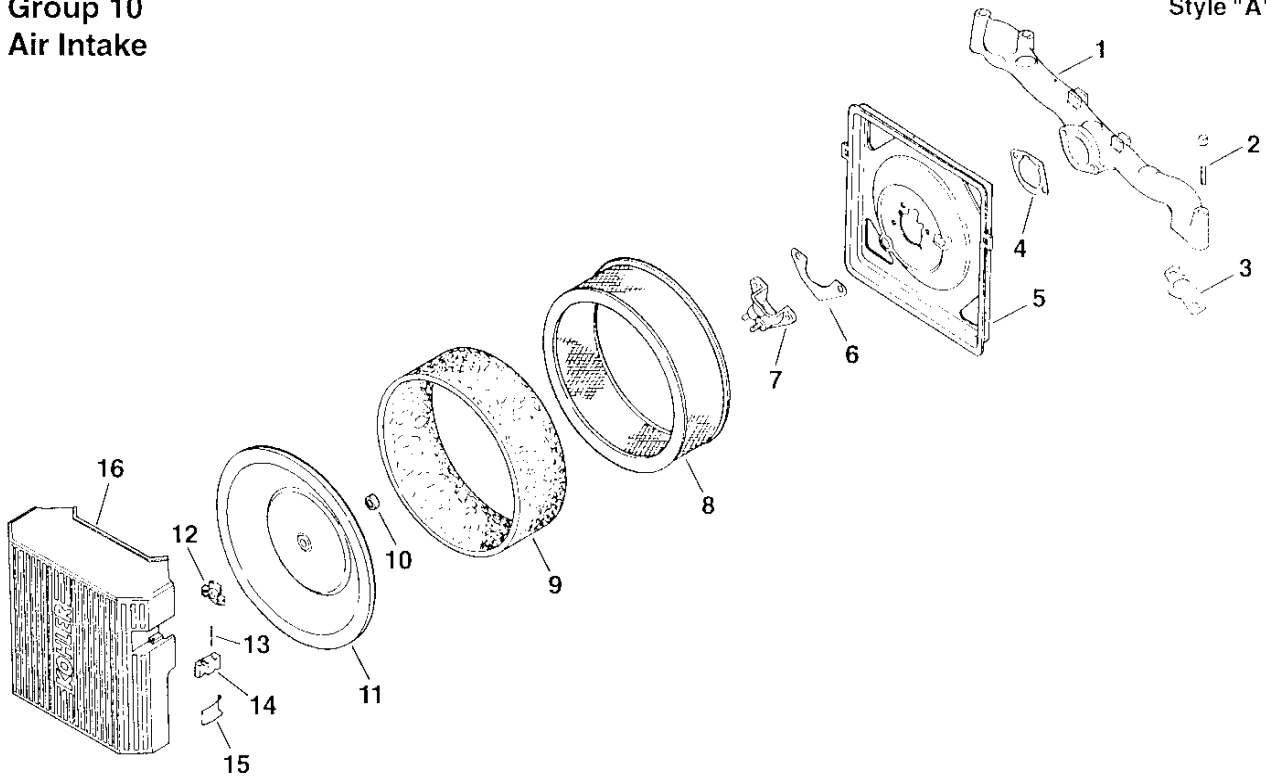
| Index Number | Description (Qty.)<br>Variation Number  | Part Number | Index Number | Description (Qty.)<br>Variation Number                                   | Part Number |
|--------------|---|-------------|--------------|--|-------------|
| 25           | Bracket, control<br>(Use after Serial No. 2425900007)<br>403                    | 24 126 47   | 26           | Screw, hex. flange M6x1.0x16<br>(Use after Serial No. 2425900007)<br>403 | M-0639016   |
| 25           | Bracket, control<br>45,48,55,58,402   | 24 126 47   | 27           | Washer, spring 3/8"<br>45,48,55,58                                       | 277341      |
| 25           | Bracket, control<br>(Use after Serial No. 2423700007)<br>59,400,401             | 24 126 47   | 27           | Washer, spring 3/8"<br>(Use after Serial No. 2427300007)<br>59,400,401   | 277341      |
| 26           | Screw, hex. flange M6x1.0x16<br>45,48,55,58                                     | M-0639016   | 27           | Washer, spring 3/8"<br>(Use after Serial No. 2433300007)<br>402          | 277341      |
| 26           | Screw, hex. flange M6x1.0x16<br>(Use after Serial No. 2427300007)<br>59,400,401 | M-0639016   | 27           | Washer, spring 3/8"<br>(Use after Serial No. 2425900007)<br>403          | 277341      |
| 26           | Screw, hex. flange M6x1.0x16<br>(Use after Serial No. 2433300007)<br>402        | M-0639016   | 28           | Spacer<br>45,48,55,58  | 25 341 01   |

| Index Number | Description (Qty.)<br>Variation Number   | Part Number | Index Number | Description (Qty.)<br>Variation Number   | Part Number |
|--------------|--|-------------|--------------|--|-------------|
| 28           | <b>Spacer</b><br>(Use after Serial No. 2427300007)<br>59,400,401   | 25 341 01   | 34           | <b>Washer, plain 1/4" (3)</b><br>19,45,48,54,55,58   | X-25-72     |
| 28           | <b>Spacer</b><br>(Use after Serial No. 2433300007)<br>402  | 25 341 01   | 34           | <b>Washer, plain 1/4"</b><br>(Before Serial No. 2423700017 use<br>qty. 2, after Serial No. 2423700007<br>use qty. 3)<br>59,400,401 | X-25-72     |
| 28           | <b>Spacer</b><br>(Use after Serial No. 2425900007)<br>403  | 25 341 01   | 34           | <b>Washer, plain 1/4"</b><br>(Use after Serial No. 2433300007)<br>402  | X-25-72     |
| 29           | <b>Lever, choke</b><br>45,48,55,58   | 24 090 20   | 34           | <b>Washer, plain 1/4"</b><br>(Before Serial No. 2425900017 use<br>qty. 2, after Serial No. 2425900007<br>use qty. 3)<br>403        | X-25-72     |
| 29           | <b>Lever, choke</b><br>(Use after Serial No. 2427300007)<br>59,400,401   | 24 090 20   | 35           | <b>Spacer</b><br>19,45,48,54,55,58,59,400,401,403  | 24 112 10   |
| 29           | <b>Lever, choke</b><br>(Use after Serial No. 2433300007)<br>402  | 24 090 20   | 35           | <b>Spacer</b><br>(Use after Serial No. 2433300007)<br>402  | 24 112 10   |
| 29           | <b>Lever, choke</b><br>(Use after Serial No. 2425900007)<br>403  | 24 090 20   | 36           | <b>Spring, governor</b><br>10,19,21,47,48,54,55,59,400,<br>401,403   | 24 089 15   |
| 30           | <b>Washer, plain 1/4"</b><br>45,48,55,58   | X-25-52     | 37           | <b>Bracket, throttle shaft</b><br>19,45,48,54,55,58,59,400,401,402,<br>403   | 24 126 17   |
| 30           | <b>Washer, plain 1/4"</b><br>(Use after Serial No. 2427300007)<br>59,400,401   | X-25-52     | 38           | <b>Shaft, throttle</b><br>19,45,48,54,55,58,59,400,401,402,<br>403   | 24 144 11   |
| 30           | <b>Washer, plain 1/4"</b><br>(Use after Serial No. 2433300007)<br>402  | X-25-52     | 39           | <b>Bracket, control</b><br>19,54   | 24 126 18   |
| 30           | <b>Washer, plain 1/4"</b><br>(Use after Serial No. 2425900007)<br>403  | X-25-52     | 39           | <b>Bracket, control</b><br>(Use before Serial No. 2427300017)<br>59,400,401  | 24 126 18   |
| 31           | <b>Nut, hex. M6x1.0 (2)</b><br>19,54   | M-0647060   | 39           | <b>Bracket, control</b><br>(Use before Serial No. 2425900017)<br>403   | 24 126 18   |
| 31           | <b>Nut, hex. M6x1.0 (3)</b><br>45,48,55,58   | M-0647060   | 40           | <b>Bracket, cable support</b><br>19,54   | 24 126 16   |
| 31           | <b>Nut, hex. M6x1.0</b><br>(Before Serial No. 2427300017 use<br>qty. 1, after Serial No. 2427300007<br>use qty. 2)<br>59,400,401 | M-0647060   | 40           | <b>Bracket, cable support</b><br>(Use before Serial No. 2427300017)<br>59,400,401  | 24 126 16   |
| 31           | <b>Nut, hex. M6x1.0 (3)</b><br>(Use after Serial No. 2433300007)<br>402  | M-0647060   | 40           | <b>Bracket, cable support</b><br>(Use before Serial No. 2425900017)<br>403   | 24 126 16   |
| 31           | <b>Nut, hex. M6x1.0</b><br>(Before Serial No. 2425900017 use<br>qty. 1, after Serial No. 2425900007<br>use qty. 2)<br>403        | M-0647060   | 41           | <b>Spring, throttle shaft</b><br>19,45,48,54,55,58,59,400,401,402,<br>403  | 24 089 20   |
| 32           | <b>Linkage, choke</b><br>(Use after Serial No. 2427300007)<br>59,400,401   | 24 079 10   | 42           | <b>Screw, phillips hd. 11-16x3/4" (2)</b><br>19,45,48,54,55,58,59,400,401,403  | 24 086 06   |
| 32           | <b>Linkage, choke</b><br>(Use after Serial No. 2425900007)<br>403  | 24 079 10   | 42           | <b>Screw, phillips hd. 11-16x3/4" (2)</b><br>(Use after Serial No. 2433300007)<br>402  | 24 086 06   |
| 32           | <b>Linkage, choke</b><br>45,48,55,58,402   | 24 079 10   | 43           | <b>Lever, throttle control</b><br>19,45,48,54,55,58,59,400,401,402,<br>403   | 24 090 09   |
| 33           | <b>Lever, throttle control</b><br>19,45,48,54,55,58,59,400,401,<br>402,403   | 24 090 12   |              |  |             |

# CV18-25

## Group 10 Air Intake

Style "A"

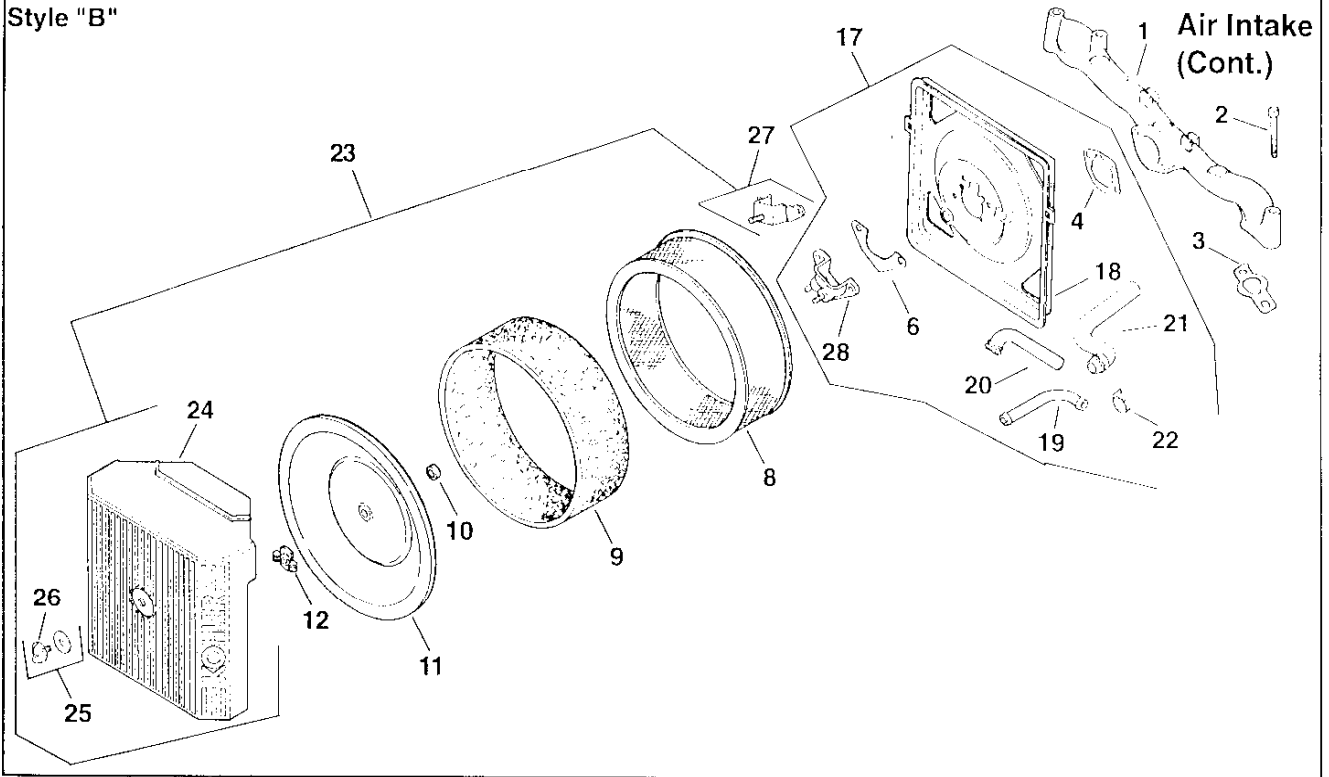


| Index Number  | Description (Qty.)<br>Variation Number   | Part Number | Index Number | Description (Qty.)<br>Variation Number  | Part Number |
|---|--|-------------|--------------|---|-------------|
| <p>The design of the air intake system has gone through a series of changes. Refer to Style "A" and "B" and order parts according to design used on engine.</p> |  |             | 9            | Element, precleaner<br>3,400,401,402  | 24 083 02   |
| 1   | Manifold, intake<br>3,6,10,18,24,25,400,401,402  | 24 164 06   | 10           | Seal, air intake<br>3,400,401,402   | 24 032 03   |
| 2   | Screw, hex. flange M6x1.0x55 (4)<br>3,6,10,18,24,25,400,401,402  | M-0651055   | 11           | Cover, inner air cleaner<br>3,18,24,25,400,401,402  | 24 096 01   |
| 3   | Gasket, intake manifold (2)<br>3,6,10,18,24,25,400,401,402   | 24 041 01   | 12           | Nut, wing<br>3,6,18,24,400,401,402  | 12 100 01   |
| 4   | Gasket, air cleaner base<br>3,6,10,18,24,25,400,401,402  | 24 041 14   | 12           | Nut, wing (2)<br>25   | 12 100 01   |
| 5   | Base, air cleaner<br>(Use before Serial No. 2523300017,<br>for reference only.)<br>(Replaced by 24 755 86)<br>400,401,402                            | 24 094 02   | 13           | Pin, latch lever (2)<br>(Use before Serial No. 2422900017)<br>400,401   | 24 380 03   |
| 6   | Gasket, fuel spitback cup<br>3,18,24,400,401,402   | 24 041 13   | 14           | Latch, lever (2)<br>(Use before Serial No. 2422900017)<br>400,401   | 24 344 01   |
| 7   | Cup, fuel spitback<br>(27.5 mm stud CV18-22)<br>(Use before Serial No. 2523300017,<br>for reference only.)<br>(Replaced by 24 755 86)<br>400,401,402 | 24 109 03   | 15           | Spring, latch (2)<br>(Use before Serial No. 2422900017)<br>400,401  | 24 089 04   |
| 8   | Element, air cleaner<br>3,25,400,401,402   | 47 083 03   | 16           | Cover, air cleaner<br>(Use before Serial No. 2313700017,<br>for reference only, no longer available<br>separately.)<br>(Replaced by 24 743 05)<br>400,401 | 24 096 03   |



# CV18-25

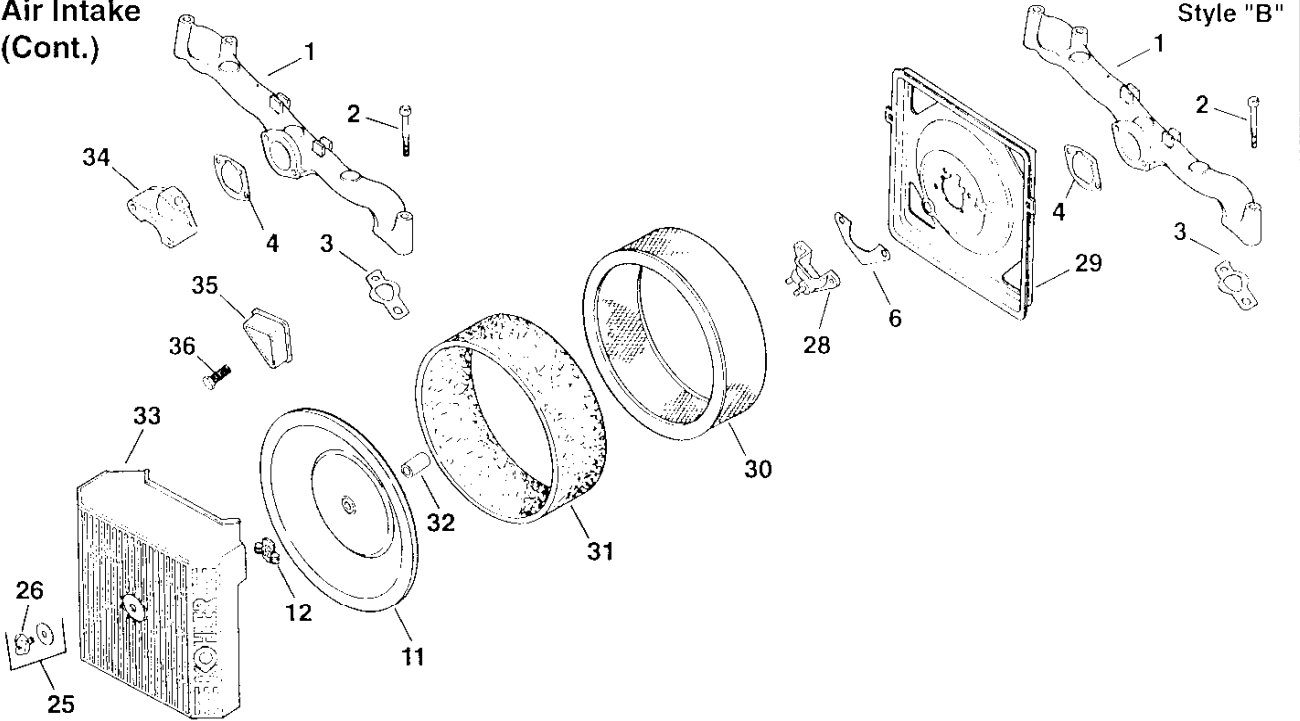
Style "B"



| Index Number | Description (Qty.)<br>Variation Number  | Part Number | Index Number | Description (Qty.)<br>Variation Number  | Part Number |
|--------------|---|-------------|--------------|---|-------------|
| 17           | <b>Kit, air cleaner base</b><br>(Includes 4,6,18-22,28)<br>(Use before Serial No. 2523300017;<br>after Serial No. 2523300007 or after<br>installation of kit, individual kit<br>components may be ordered for<br>replacement) |             | 23           | <b>Kit, air cleaner cover</b><br>(Includes 24-27)<br>(Use before Serial No. 2422900017; after<br>Serial No. 2422900007 or after installation<br>of kit, but before Serial No. 2432300017,<br>individual kit components may be<br>ordered for replacement) |             |
|              | 400,401,402   | 24 755 86   |              | 401   | 24 743 05   |
| 18           | <b>Base, air cleaner</b><br>3   | 24 094 14   | 24           | <b>Cover, air cleaner</b><br>3,18,400,402   | 24 096 24   |
| 18           | <b>Base, air cleaner</b><br>(Use after Serial No. 2523300007)<br>400,401,402  | 24 094 14   | 24           | <b>Cover, air cleaner</b><br>(Use before Serial No. 2432300017)<br>401  | 24 096 24   |
| 19           | <b>Fitting</b><br>400,401,402   | 24 294 06   | 25           | <b>Kit, air cleaner knob w/ gasket</b><br>(Includes 26)<br>3,6,18,24,400,401,402  | 24 755 91   |
| 20           | <b>Hose, breather</b><br>400,401,402  | 24 326 13   | 26           | <b>Knob, air cleaner cover</b><br>3,6,18,24,400,401,402   | 25 341 02   |
| 21           | <b>Hose, breather</b><br>400,401,402  | 24 326 14   | 27           | <b>Bracket, air cleaner</b><br>(30 mm stud CH18-22)   | 24 126 21   |
| 22           | <b>Clamp, hose</b><br>400,401,402   | X-426-9     | 27           | <b>Bracket, air cleaner</b><br>(40 mm stud CH25)  | 24 126 43   |
| 23           | <b>Kit, air cleaner cover</b><br>(Includes 24-27)<br>3,402  | 24 743 05   | 28           | <b>Cup, fuel spitback</b><br>(24.5 mm stud CV18-22)<br>3  | 24 109 06   |
| 23           | <b>Kit, air cleaner cover</b><br>(Includes 24-27)<br>(Use before Serial No. 2422900017;<br>after Serial No. 2422900007, or after<br>installation of kit, individual kit<br>components may be ordered for<br>replacement)      |             | 28           | <b>Cup, fuel spitback</b><br>(24.5 mm stud CV18-22)<br>(Use after Serial No. 2523300007)<br>400,401,402   | 24 109 06   |
|              | 400   | 24 743 05   | 28           | <b>Cup, fuel spitback</b><br>(34.5 mm stud CV25)<br>18,24   | 24 109 05   |

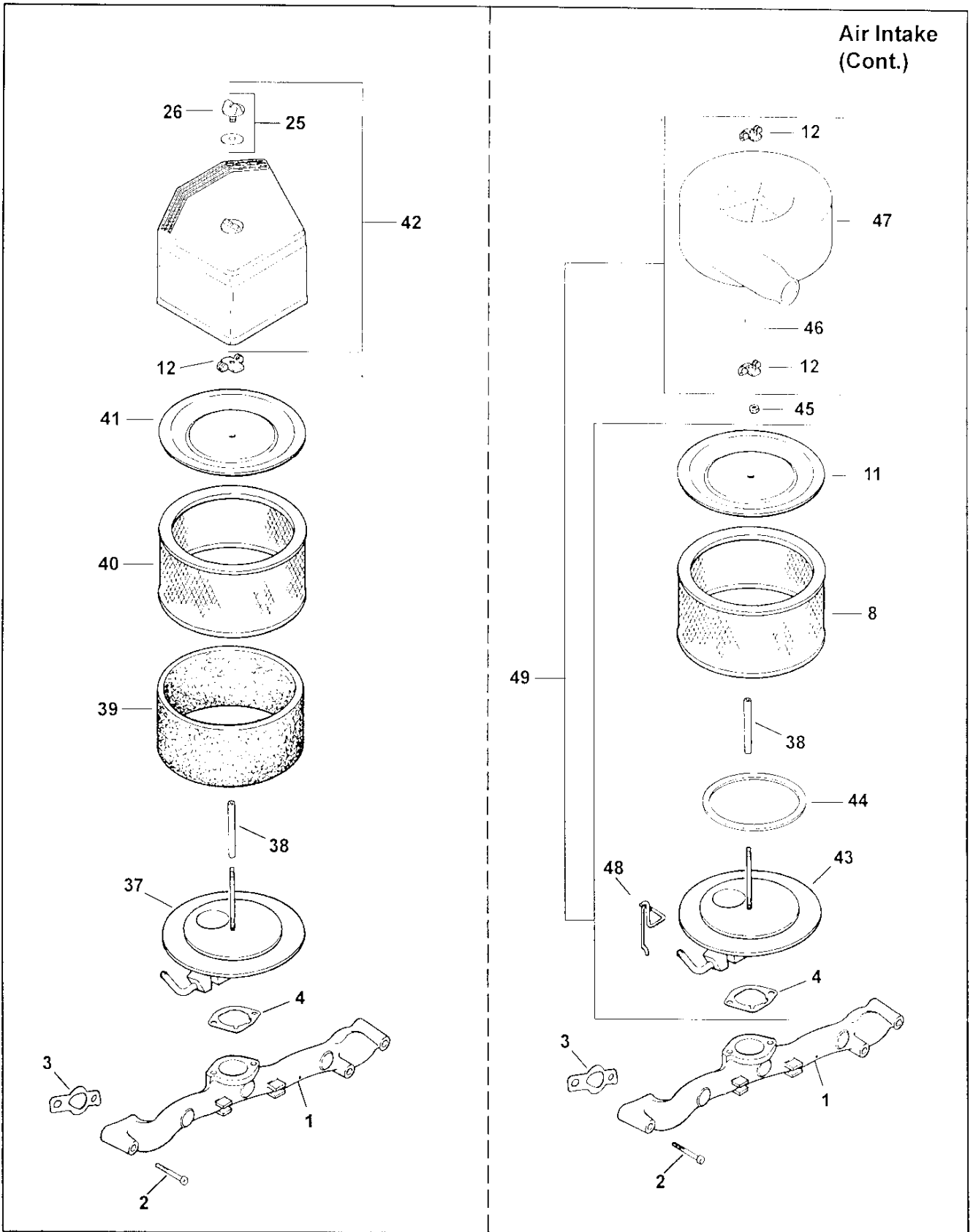
# CV18-25

## Air Intake (Cont.)



| Index Number | Description (Qty.)<br>Variation Number | Part Number | Index Number | Description (Qty.)<br>Variation Number                         | Part Number |
|--------------|--|-------------|--------------|--|-------------|
| 29           | Base, air cleaner<br>18,24             | 24 094 13   | 33           | Cover, air cleaner<br>(Use after Serial No. 2432300007)<br>401 | 24 096 32   |
| 30           | Element, air cleaner<br>18,24          | 24 083 03   | 34           | Elbow, air cleaner<br>10                                       | 24 054 03   |
| 31           | Element, precleaner<br>18,24           | 24 083 05   | 35           | Cover, blower housing<br>10                                    | 24 096 17   |
| 32           | Seal, breather<br>18,24                | 230046      | 36           | Screw, sems hex. cap 10-16x1/2"<br>10                          | X-67-3      |
| 33           | Cover, air cleaner<br>24               | 24 096 42   |              |  |             |

Air Intake  
(Cont.)



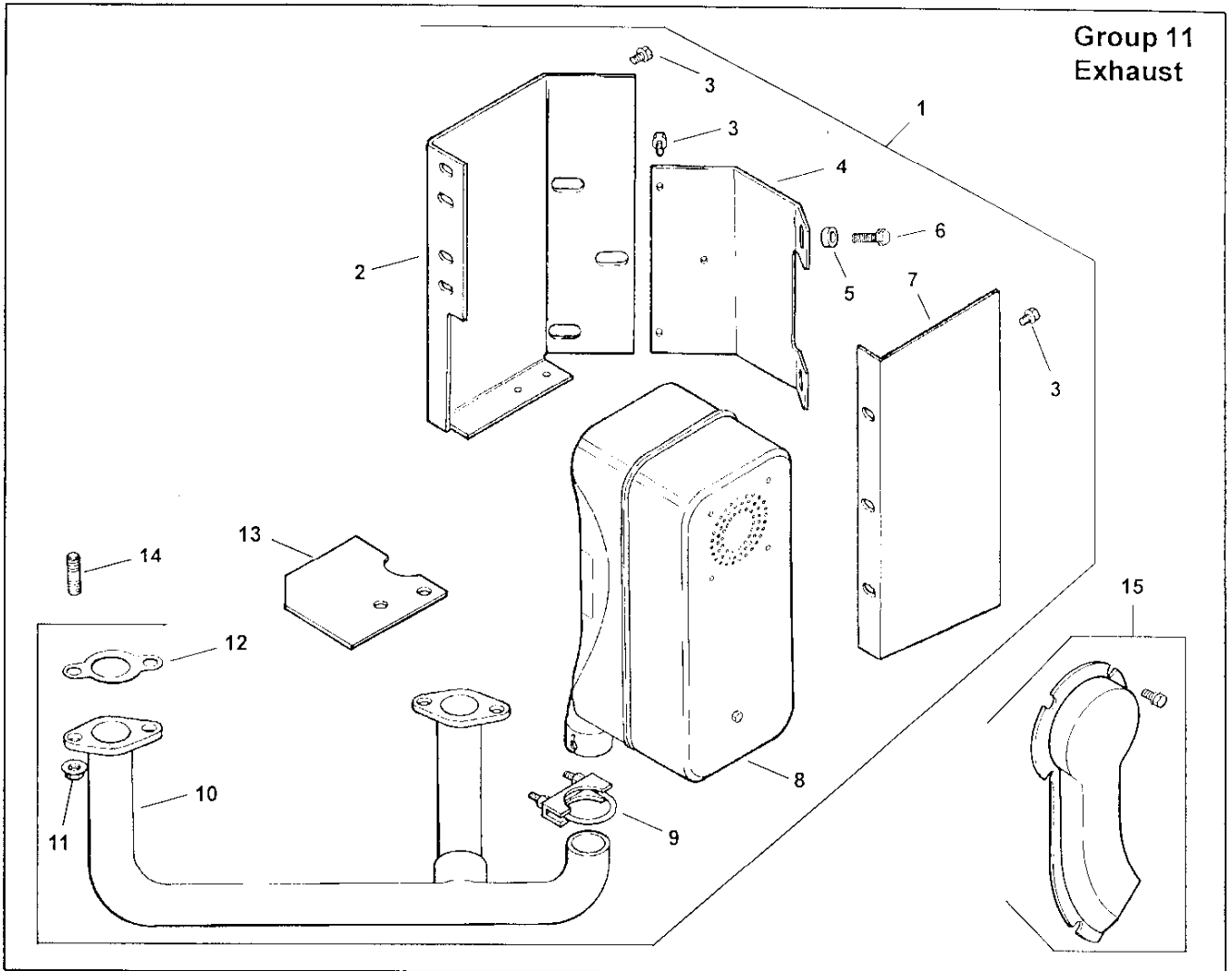
**Air Intake  
(Cont.)**

**CV18-25**

| Index Number | Description (Qty.)<br>Variation Number              | Part Number | Index Number | Description (Qty.)<br>Variation Number                         | Part Number |
|--------------|---|-------------|--------------|--|-------------|
| 37           | Elbow, air cleaner<br>6                             | 24 054 02   | 44           | Seal, air cleaner<br>25  | 24 032 07   |
| 38           | Seal<br>6,25  | 24 032 04   | 45           | Nut, hex. flange M6x1.0 (3)<br>25                              | M-0641060   |
| 39           | Element, precleaner<br>6                            | 45 083 01   | 46           | Seal<br>25   | 24 032 08   |
| 40           | Element, air cleaner<br>6                           | 45 083 02   | 47           | Cover, air cleaner<br>25                                       | 24 096 33   |
| 41           | Cover, air cleaner element<br>6                     | 52 082 04   | 48           | Linkage, choke<br>25   | 24 079 10   |
| 42           | Kit, air cleaner cover<br>(Includes 25 and 26)<br>6 | 24 743 10   | 49           | Kit, plenum air cleaner<br>(Includes 4,8,11,12,38,43-48)<br>25 | 24 743 13   |
| 43           | Elbow, air cleaner<br>25                            | 24 054 05   |              |  |             |

# CV18-25

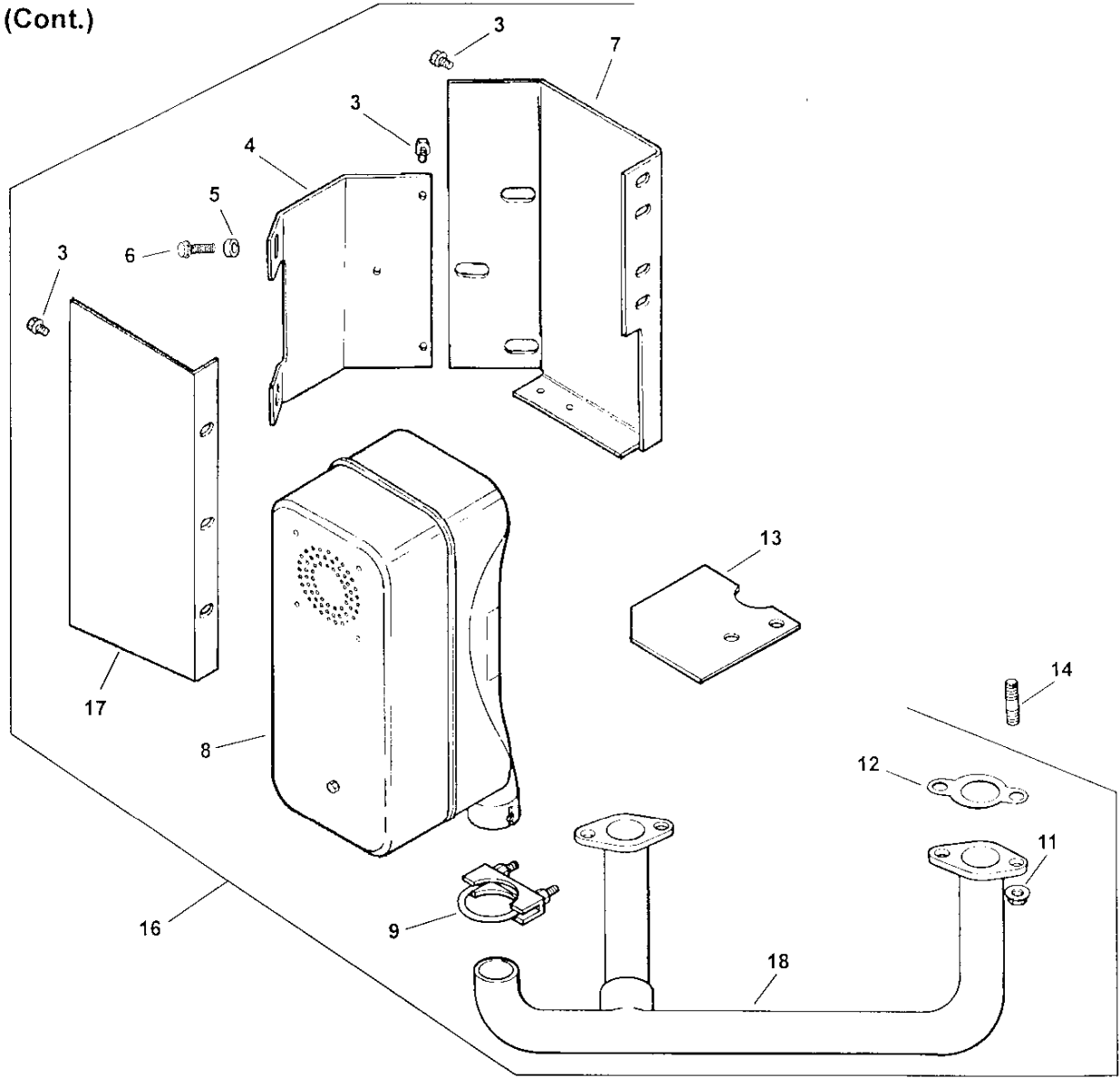
## Group 11 Exhaust



| Index Number | Description (Qty.)<br>Variation Number                                | Part Number | Index Number | Description (Qty.)<br>Variation Number   | Part Number |
|--------------|---|-------------|--------------|--|-------------|
| 1            | Kit, muffler mounting - oil filter side<br>(Includes 2-13)<br>400,403 | 24 786 16   | 11           | Nut, hex. flange M8x1.25 (4)<br>13,15,21,24,27,28,38,46,47,52,53,56,<br>58,400,401,402,403,404,405,407,<br>408,409       | M-0841080   |
| 2            | Bracket, muffler - oil filter side<br>400,403                         | 24 126 34   | 11           | Nut, hex. flange M8x1.25<br>(Use before Serial No. 2520700017)<br>406  | M-0841080   |
| 3            | Screw, hex. flange M6x1.0x16 (11)<br>46,400,401,403                   | M-0645016   | 12           | Gasket, exhaust (2)<br>13,15,21,24,27,28,38,46,47,52,53,<br>56,58,400,401,402,403,404,405,<br>407,408,409                | 24 041 02   |
| 4            | Bracket, muffler<br>400,401,403                                       | 24 126 38   | 12           | Gasket, exhaust (2)<br>(Use before Serial No. 2520700017)<br>406   | 24 041 02   |
| 5            | Spacer (4)<br>46,400,401,403  | 24 112 08   | 13           | Deflector, heat<br>400,401,403   | 24 265 02   |
| 6            | Screw, hex. flange M6x1.0x30 (4)<br>46,400,401,403                    | M-0651030   | 14           | Stud, exhaust M8x1.25x20 (4)<br>3,13,15,21,24,27,28,38,46,47,52,<br>53,56,58,400,401,402,403,404,<br>405,406,407,408,409 | M-0829033   |
| 7            | Deflector, heat<br>400,401,403  | 24 265 03   | 15           | Kit, muffler deflector<br>403  | 24 755 49   |
| 8            | Muffler, oil filter side outlet<br>400,401,403                        | 24 068 22   |              |  |             |
| 9            | Clamp, muffler<br>400,401,403   | 24 237 01   |              |  |             |
| 10           | Manifold, exhaust #2 side<br>400,403                                  | 24 164 17   |              |  |             |

# CV18-25

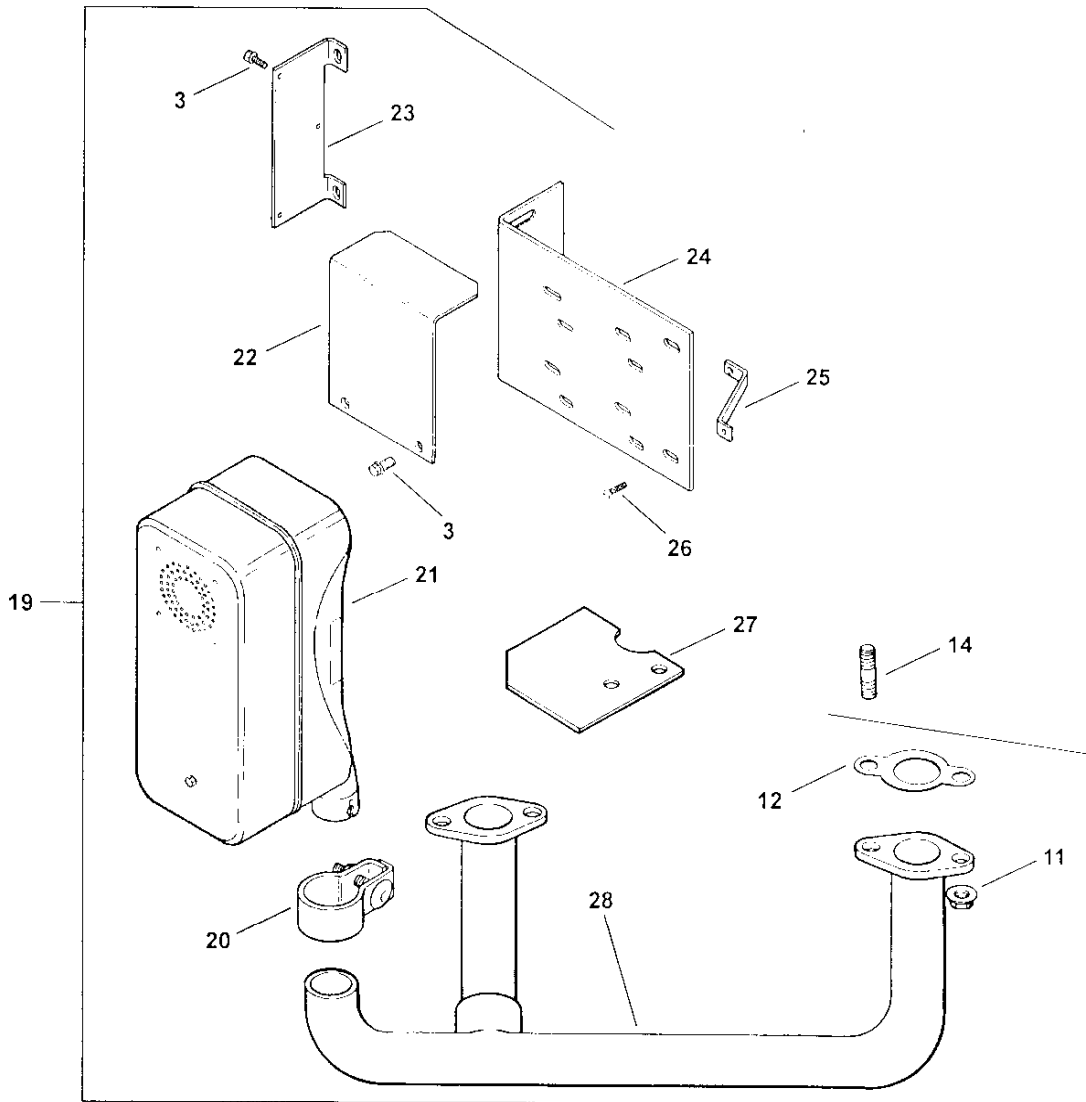
## Exhaust (Cont.)



| Index Number | Description (Qty.)<br>Variation Number                                   | Part Number | Index Number | Description (Qty.)<br>Variation Number | Part Number |
|--------------|--|-------------|--------------|--|-------------|
| 16           | Kit, muffler mouting - starter side<br>(Includes 3-9,11-13,17,18)<br>401 | 24 786 15   | 17           | Bracket, muffler - starter side<br>401 | 24 126 33   |
|              |  |             | 18           | Manifold, exhaust #1 side<br>401       | 24 164 16   |

# CV18-25

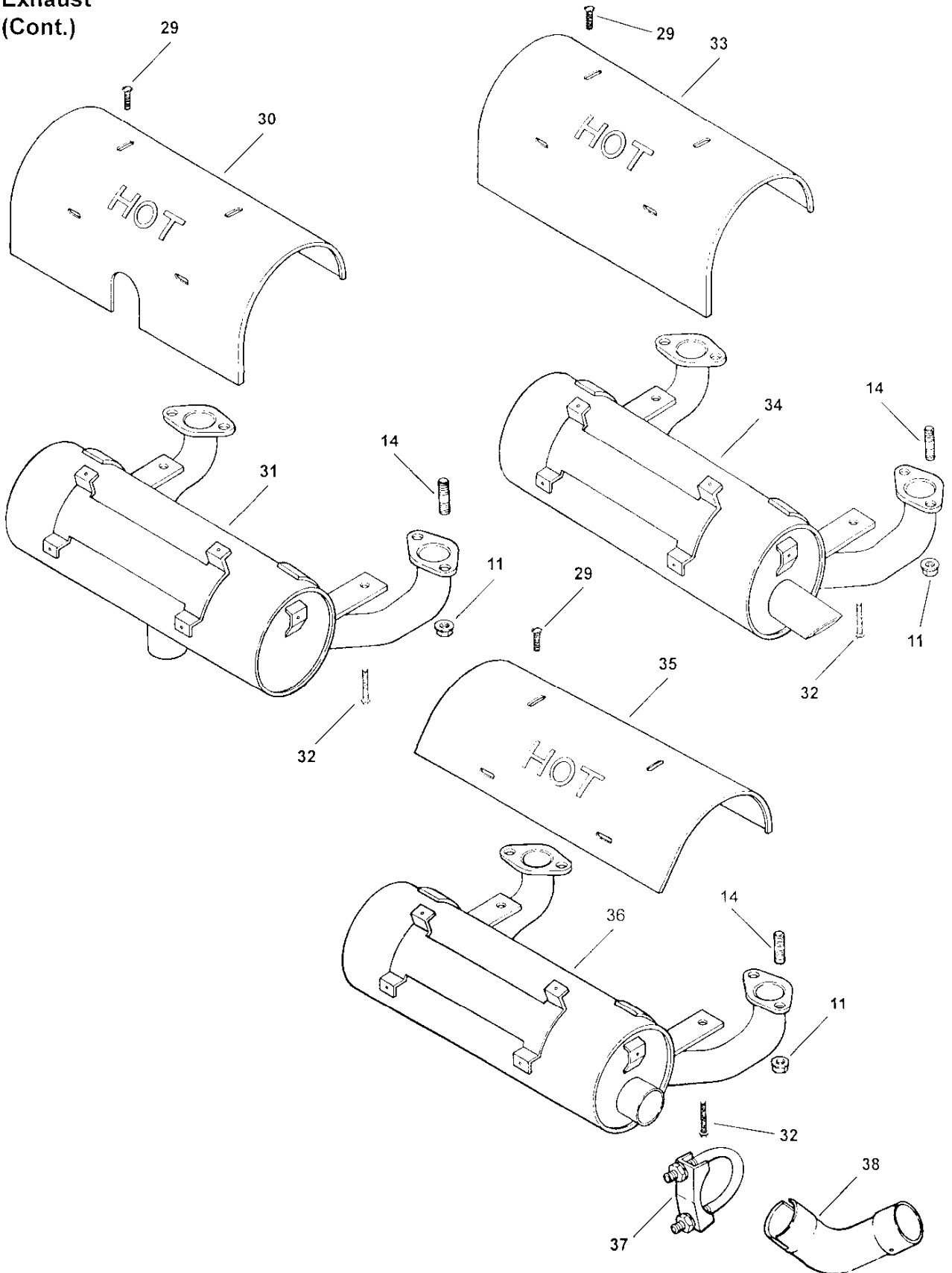
Exhaust  
(Cont.)



| Index Number | Description (Qty.)<br>Variation Number                                | Part Number | Index Number | Description (Qty.)<br>Variation Number      | Part Number |
|--------------|---|-------------|--------------|---|-------------|
| 19           | Kit, mufflermounting - starter side<br>(Includes 3,11,12,20-28)<br>46 | 24 786 13   | 24           | Bracket, muffler<br>46                      | 24 126 26   |
| 20           | Clamp, muffler<br>46  | 12 237 02   | 25           | Bracket<br>46                               | 24 126 24   |
| 21           | Muffler, starter side outlet<br>46                                    | 24 068 19   | 26           | Screw, hex. cap 1/4-20x1-1/4" (4)<br>46,403 | 24 086 25   |
| 22           | Deflector, heat<br>46   | 24 265 04   | 27           | Deflector, heat (2)<br>46                   | 24 265 05   |
| 23           | Bracket, muffler<br>46  | 24 126 27   | 28           | Manifold, exhaust #1 side<br>46             | 24 164 12   |

CV18-25

Exhaust  
(Cont.)





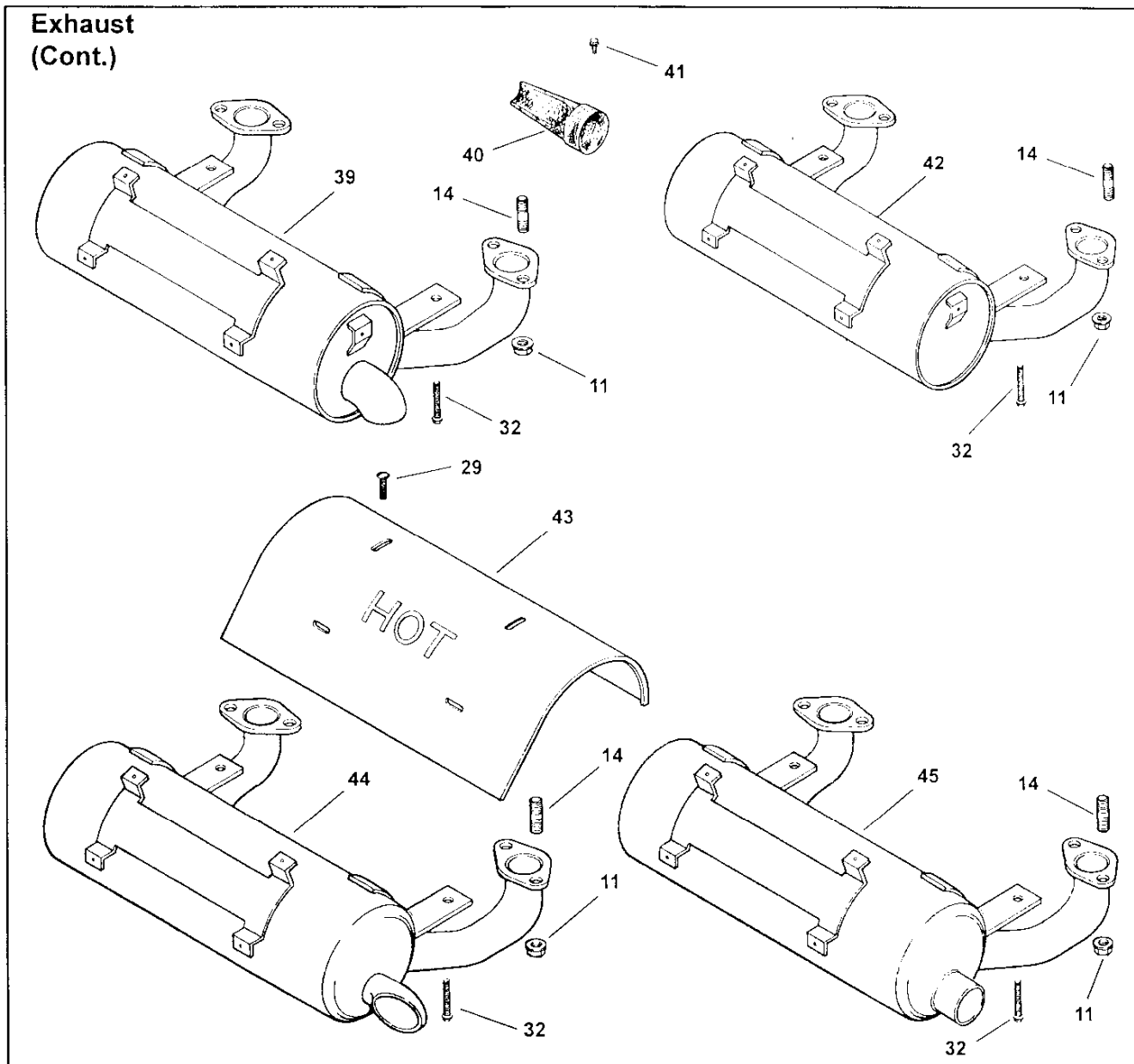
## CV18-25

Exhaust  
(Cont.)

| Index Number | Description (Qty.)<br>Variation Number  | Part Number | Index Number | Description (Qty.)<br>Variation Number  | Part Number |
|--------------|---|-------------|--------------|---|-------------|
| 29           | Screw, sems drill 8-18x9/16" (4)<br>13,15,21,24,27,28,47,56,58,405,<br>408,409  | 25 086 40   | 33           | Duct, heat shield<br>(Use after Serial No. 2508900007)<br>404                           | 24 281 06   |
| 29           | Screw, sems drill 8-18x9/16" (5)<br>407   | 25 086 40   | 34           | Muffler, canister - oil filter side outlet<br>27  | 24 068 21   |
| 29           | Screw, sems drill 8-18x9/16"<br>(Before Serial No. 2505300017<br>use qty. 4, after Serial No.<br>2505300007 use qty.)<br>53 | 25 086 40   | 35           | Duct, heat shield<br>47   | 24 281 07   |
| 29           | Screw, sems drill 8-18x9/16" (4)<br>(Use after Serial No. 2508900007)<br>404  | 25 086 40   | 36           | Muffler, canister - oil filter side outlet<br>13,47,402                                 | 24 068 08   |
| 30           | Duct, heat shield<br>15   | 24 281 05   | 36           | Muffler, canister - oil filter side outlet<br>(Use before Serial No. 2508900007)<br>404 | 24 068 08   |
| 31           | Muffler, canister - center outlet<br>15   | 24 068 10   | 36           | Muffler, canister - oil filter side outlet<br>(Use before Serial No. 2327900017)<br>405 | 24 068 08   |
| 32           | Screw, hex. flange M6x1.0x20 (2)<br>13,15,21,24,27,28,47,56,58,53,<br>402,404,405,407,408                                   | M-0645020   | 36           | Muffler, canister - oil filter side outlet<br>(Use after Serial No. 2525000007)<br>408  | 24 068 08   |
| 33           | Duct, heat shield<br>13,24,27,28,405,408,409  | 24 281 06   | 37           | Clamp, muffler<br>402   | 237548      |
| 33           | Duct, heat shield<br>(Use before Serial No. 2505300017)<br>53   | 24 281 06   | 38           | Elbow, exhaust<br>402   | 45 054 21   |

# CV18-25

## Exhaust (Cont.)



| Index Number | Description (Qty.)<br>Variation Number  | Part Number | Index Number | Description (Qty.)<br>Variation Number    | Part Number |
|--------------|---|-------------|--------------|---|-------------|
| 39           | Muffler, canister - oil filter side outlet<br>24,53                                     | 24 068 20   | 41           | Screw, hex. socket hd. 8-18x3/8"<br>28    | 25 086 46   |
| 39           | Muffler, canister - oil filter side outlet<br>(Use after Serial No. 2508900007)<br>404  | 24 068 20   | 42           | Muffler, canister - starter side<br>21,28 | 24 068 09   |
| 39           | Muffler, canister - oil filter side outlet<br>(Use after Serial No. 2327900007)<br>405  | 24 068 20   | 43           | Duct, heat shield<br>56,58                | 24 281 08   |
| 39           | Muffler, canister - oil filter side outlet<br>(Use before Serial No. 2525000017)<br>408 | 24 068 20   | 44           | Muffler, canister - oil filter side<br>56 | 24 068 28   |
| 40           | Silencer, exhaust<br>28   | 52 428 01   | 45           | Muffler, canister - oil filter side<br>58 | 24 068 29   |

## CV18-25

| Description                    | Part<br>Number |
|--------------------------------|----------------|
| Gasket Set (w/seals)           | 24 755 03*     |
| Set Includes:                  |                |
| Seal, governor cross shaft     | 12 032 01      |
| O-Ring                         | 12 153 01      |
| O-Ring                         | 12 153 02      |
| O-Ring                         | 12 153 03      |
| O-Ring                         | 24 153 08      |
| Seal, breather                 | 230046         |
| Seal, oil front                | 24 032 01      |
| Seal, oil                      | 52 032 08      |
| Seal, inner air cleaner        | 24 032 03      |
| Seal                           | 24 032 04      |
| Seal, valve stem (2)           | 24 032 05      |
| Gasket, intake manifold (2)    | 24 041 01      |
| Gasket, exhaust (2)            | 24 041 02      |
| Gasket, air cleaner base       | 24 041 06      |
| Gasket, cylinder head (2)      | 24 041 08      |
| Gasket, oil filter adapter     | 24 041 12      |
| Gasket, fuel spitback cup      | 24 041 13      |
| Gasket, air cleaner            | 24 041 14      |
| Gasket, carburetor             | 24 041 15      |
| Gasket, cylinder head (2)      | 24 041 16      |
| Gasket, carburetor             | 24 041 17      |
| Gasket, breather               | 24 041 23      |
| Gasket, air cleaner cover knob | 24 041 27      |

**\*NOTE:** When using this gasket set on a CV25 engine, it must have a date code of 402 and above.

FOR SALES AND SERVICE INFORMATION  
IN U.S. AND CANADA, CALL  
1-800-544-2444

**KOHLER**engines

ENGINE DIVISION, KOHLER CO., KOHLER, WISCONSIN 53044

|           |         |
|-----------|---------|
| FORM NO.: | TP-2461 |
| ISSUED:   | 8/95    |
| REVISED:  |         |
| MAILED:   | 4/96    |

LITHO IN U.S.A.